

ATLANTIC

WINCHES


BOAT UP TO 14FT


BOAT UP TO 18FT


ATLANTIC ROPE
WEBBING
ROPE

Marine Boat Winch

Single-speed



PRODUCT	CAPACITY	GEAR RATIO	CABLE TYPE	HOOK TYPE
MW201R	550kg (1200lb)	3:1	6m x 4mm rope	S Hook
MW202W	550kg (1200lb)	3:1	6m webbing strap	S Hook
MW212C	550kg (1200lb)	3:1	6m x 4mm cable	S Hook
MW203R	725kg (1600lb)	5:1	6m x 5mm rope	Snap Hook
MW204W	725kg (1600lb)	5:1	6m webbing strap	Snap Hook
MW214C	725kg (1600lb)	5:1	6m x 4mm cable	Snap Hook

Our single-speed Marine Boat Winches are available in two different gear ratio speed combinations using either a cable, webbing strap or rope suitable for boats up to 18 feet or with pulling capacity operating up to 725kg.

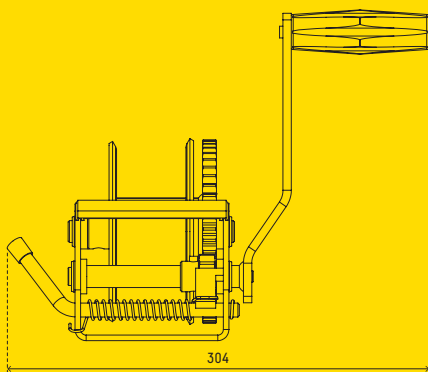
For more information call 1300 214 049, visit our website at atlanticproducts.com.au or email sales@atlanticproducts.com.au



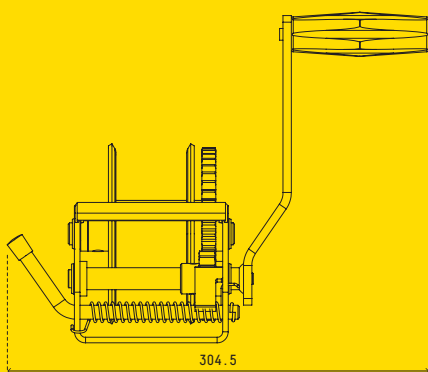
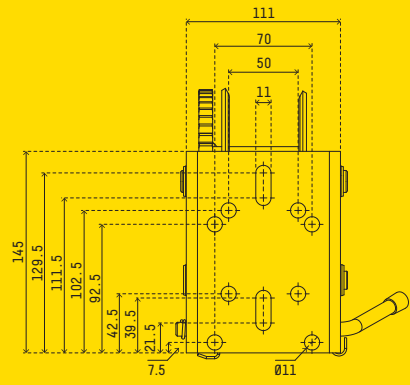
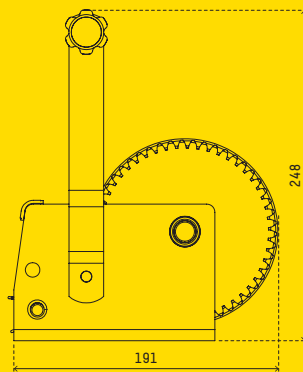
ATLANTIC

WINCHES

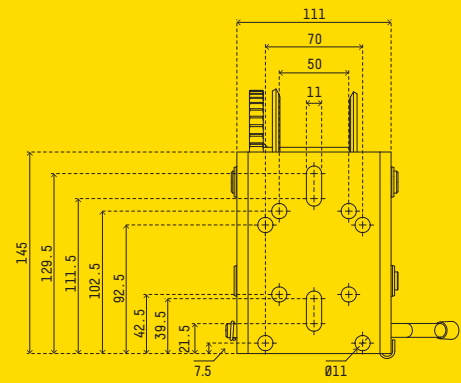
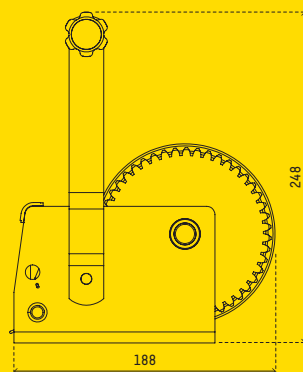
PRODUCT CODE	MW201R	MW202W	MW212C	MW203R	MW204W	MW214C
GEAR RATIO	3:1	3:1	3:1	5:1	5:1	5:1
CABLE/WEBBING/ROPE TYPE	Atlantic Rope	Webbing Strap	Cable	Atlantic Rope	Webbing Strap	Cable
HOOK TYPE	S Hook	S Hook	S Hook	Snap Hook	Snap Hook	Snap Hook
APPLICATION (VESSEL TYPE)	Incline Pull (Boat Trailer)	Incline Pull (Boat Trailer)	Incline Pull (Boat Trailer)	Incline Pull (Boat Trailer)	Incline Pull (Boat Trailer)	Incline Pull (Boat Trailer)
CABLE/WEBBING/ROPE LENGTH (MAXIMUM LENGTH)	6m x 4mm (34.5m x 4mm)	6m (8.5m)	6m x 4mm (34.5m x 4mm)	6m x 5mm (20m x 5mm)	6m (8.5m)	6m x 4mm (20m x 4mm)
CAPACITY	550kg (1200lb)	550kg (1200lb)	550kg (1200lb)	725kg (1600lb)	725kg (1600lb)	725kg (1600lb)
RATCHET TYPE	Pawl Lever	Pawl Lever	Pawl Lever	Pawl Lever	Pawl Lever	Pawl Lever
UNIT WEIGHT	4.12kg	4.33kg	4.44kg	4.33kg	4.55kg	4.9kg
TOTAL DIMENSIONS (W X H X D)	304 x 248 x 191	304 x 248 x 191	304 x 248 x 191	304.5 x 248 x 188	304.5 x 248 x 188	304.5 x 248 x 188
BARCODE NUMBER	9337451000725	9337451000046	9337451000091	9337451000732	9337451000053	9337451000107



3:1 MARINE WINCH DIMENSIONS



5:1 MARINE WINCH DIMENSIONS



For more information call 1300 214 049, visit our website at atlanticproducts.com.au or email sales@atlanticproducts.com.au

