

# ATLANTIC

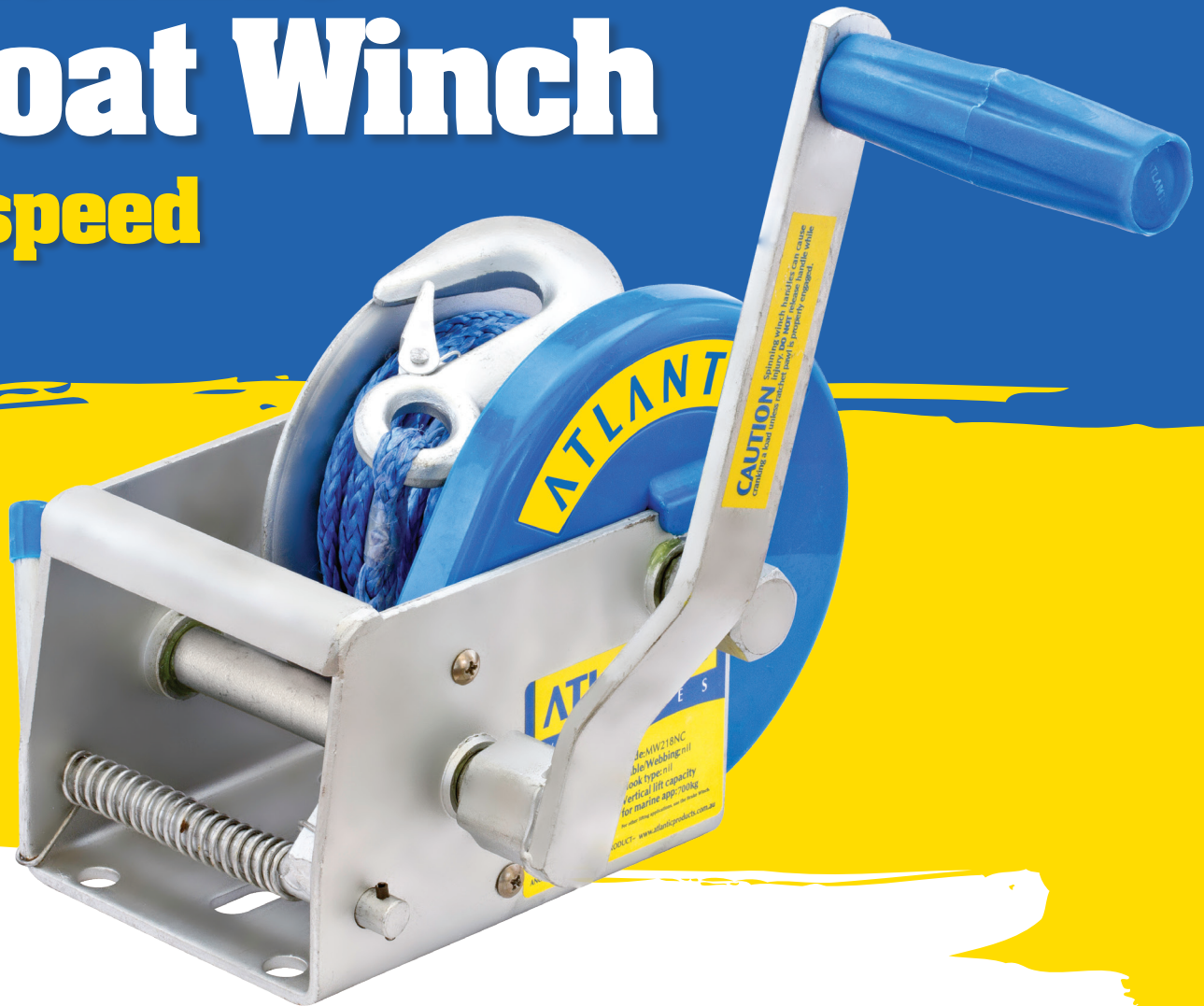
## WINCHES

BOAT UP TO 20FT

ATLANTIC ROPE  
WEBBING  
ROPE

# Marine Boat Winch

## 2-speed



| PRODUCT | CAPACITY       | GEAR RATIO | CABLE TYPE         | HOOK TYPE |
|---------|----------------|------------|--------------------|-----------|
| MW205R  | 775kg (1700lb) | 5:1/1:1    | 7.5m x 5mm rope    | Snap Hook |
| MW206W  | 775kg (1700lb) | 5:1/1:1    | 7.5m webbing strap | Snap Hook |
| MW217C  | 775kg (1700lb) | 5:1/1:1    | 7.5m x 5mm cable   | Snap Hook |

*Our 2-speed Marine Boat Winch is available with either a cable, webbing strap or rope suitable for boats up to 20 feet or with pulling capacity operating up to 775kg.*

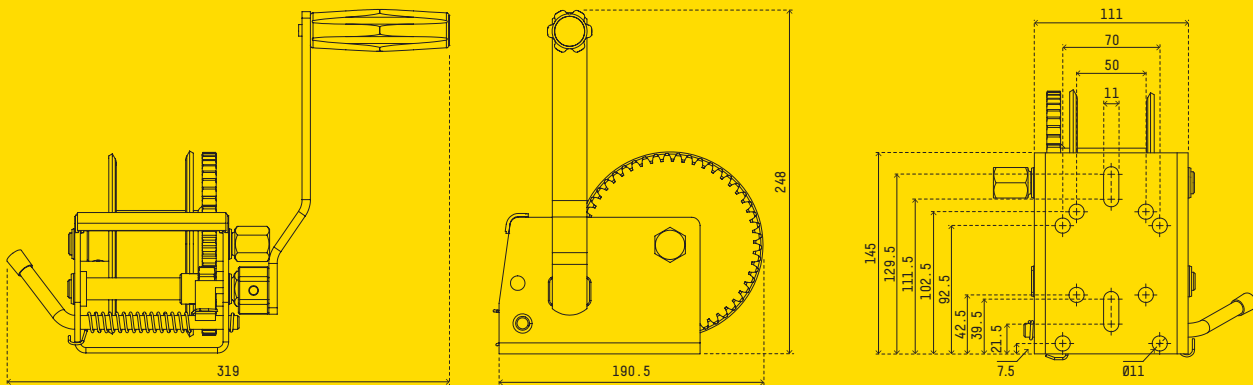
For more information call 1300 214 049, visit our website at [atlanticproducts.com.au](http://atlanticproducts.com.au) or email [sales@atlanticproducts.com.au](mailto:sales@atlanticproducts.com.au)



# ATLANTIC

## WINCHES

|   | MW203R                      | MW204W                      | MW214C                      |
|---|-----------------------------|-----------------------------|-----------------------------|
| <b>GEAR RATIO</b>                                 | 5:1                         | 5:1                         | 5:1                         |
| <b>CABLE/WEBBING/ROPE TYPE</b>                    | Atlantic Rope               | Webbing Strap               | Cable                       |
| <b>HOOK TYPE</b>                                  | Snap Hook                   | Snap Hook                   | Snap Hook                   |
| <b>APPLICATION (VESSEL TYPE)</b>                  | Incline Pull (Boat Trailer) | Incline Pull (Boat Trailer) | Incline Pull (Boat Trailer) |
| <b>CABLE/WEBBING/ROPE LENGTH (MAXIMUM LENGTH)</b> | 6m x 5mm (20m x 5mm)        | 6m (8.5m)                   | 6m x 4mm (20m x 4mm)        |
| <b>CAPACITY</b>                                   | 725kg (1600lb)              | 725kg (1600lb)              | 725kg (1600lb)              |
| <b>RATCHET TYPE</b>                               | Pawl Lever                  | Pawl Lever                  | Pawl Lever                  |
| <b>UNIT WEIGHT</b>                                | 4.33kg                      | 4.55kg                      | 4.9kg                       |
| <b>TOTAL DIMENSIONS (W X H X D)</b>               | 304.5 x 248 x 188           | 304.5 x 248 x 188           | 304.5 x 248 x 188           |
| <b>BARCODE NUMBER</b>                             | 9337451000732               | 9337451000053               | 9337451000107               |



5:1 MARINE WINCH DIMENSIONS

For more information call 1300 214 049, visit our website at [atlanticproducts.com.au](http://atlanticproducts.com.au) or email [sales@atlanticproducts.com.au](mailto:sales@atlanticproducts.com.au)

