

# ATLANTIC

## WINCHES

1500

UP TO 1500KG



CABLE

# Large Brake Winch



PRODUCT	CAPACITY	GEAR RATIO	CABLE AND HOOK TYPE
LBW620NC	750kg (1650lb)	8:1	Cable and hook sold separately
LBW650NC	1500kg (3300lb)	15:1	Cable and hook sold separately
LBW650-25X10DS	1500kg (3300lb)	15:1	25m x 10mm Galv Cable with D-Shackle

**Available with cable and rated D-Shackle (LBW650 only)**

*Our Large Brake Winch range is available in two gear ratio's with lifting capacity up to 1500kg. The self actuating automatic braking mechanism ensures the suspension and 'jerk-free' movement when lowering a load under pressure.*

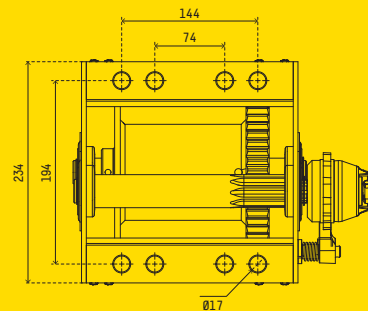
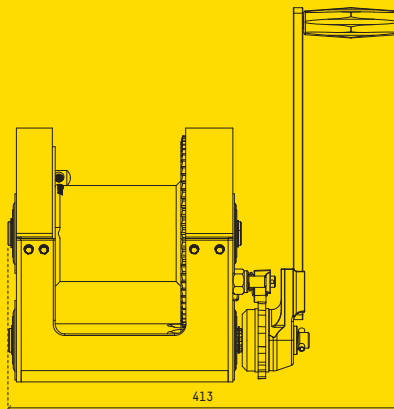
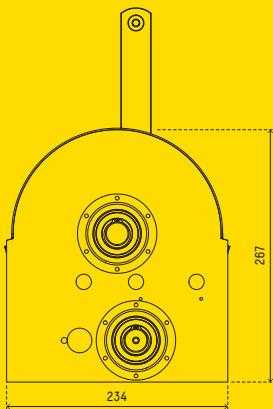
For more information call 1300 214 049, visit our website at [atlanticproducts.com.au](http://atlanticproducts.com.au) or email [sales@atlanticproducts.com.au](mailto:sales@atlanticproducts.com.au)



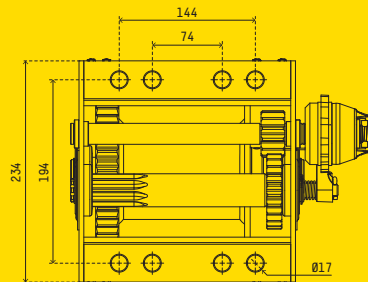
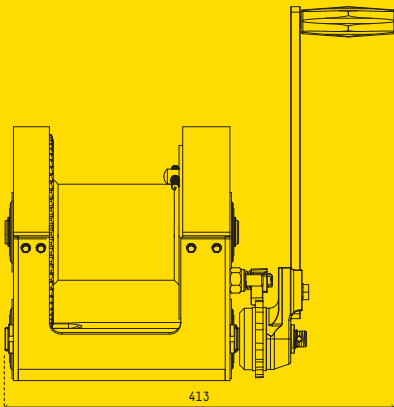
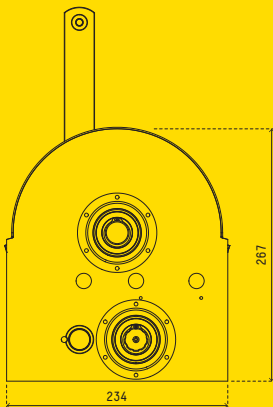
# ATLANTIC

## WINCHES

	LBW620NC	LBW650NC	LBW650-25X10DS
<b>GEAR RATIO</b>	8:1	15:1	15:1
<b>CABLE/WEBBING/ROPE TYPE</b>	–	–	Cable
<b>HOOK TYPE</b>	–	–	Rated D-Shackle
<b>APPLICATION</b>	Direct Lift	Direct Lift	Direct Lift
<b>CABLE/WEBBING/ROPE LENGTH (MAXIMUM LENGTH)</b>	– (45m x 6mm)	– (45m x 6mm)	25m x 10mm (45m x 6mm)
<b>CAPACITY</b>	750kg (1650lb)	1500kg (3300lb)	1500kg (3300lb)
<b>ULTIMATE BRAKING LOAD</b>	5690kg	7176kg	7176kg
<b>ULTIMATE TENSILE STRESS</b>	55.6kN	70.38kN	70.38kN
<b>RATCHET TYPE</b>	Self Actuating	Self Actuating	Self Actuating
<b>UNIT WEIGHT</b>	22.8kg	24.0kg	24.0kg
<b>TOTAL DIMENSIONS (W X H X D)</b>	413 x 267 x 234	413 x 267 x 234	413 x 267 x 234
<b>BARCODE NUMBER</b>	9337451000312	9337451000329	9337451001340



8:1 LARGE BRAKE WINCH DIMENSIONS



15:1 LARGE BRAKE WINCH DIMENSIONS

For more information call 1300 214 049, visit our website at [atlanticproducts.com.au](http://atlanticproducts.com.au) or email [sales@atlanticproducts.com.au](mailto:sales@atlanticproducts.com.au)

