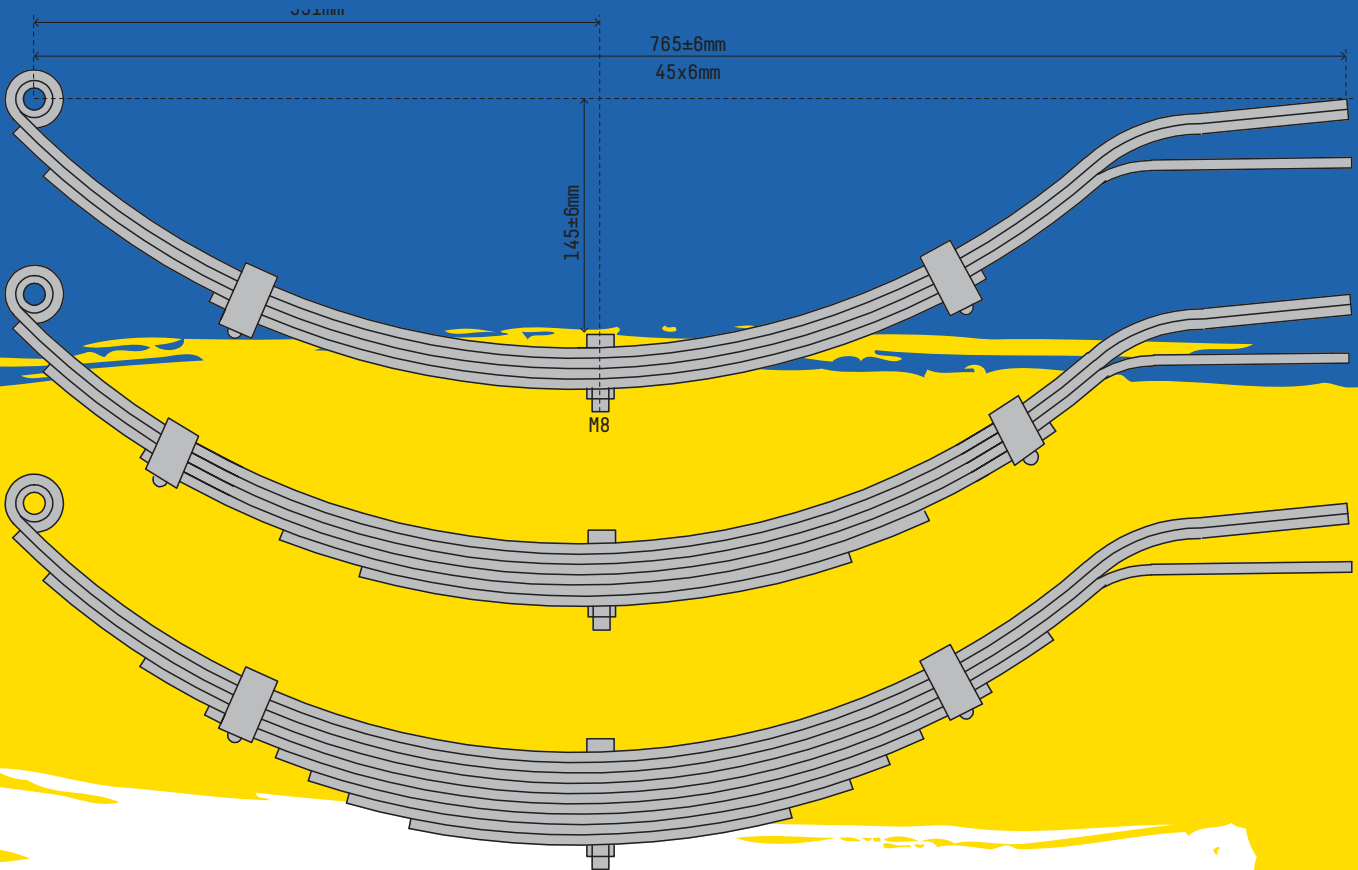


# ATLANTIC

P R O D U C T S

# Springs

EACH  
SPRING IS  
INDIVIDUALLY  
DACROMET  
COATED THEN  
ASSEMBLED



## 45x6 765mm Slipper Springs

PRODUCT	DESCRIPTION	LEAF TYPE	DUAL RATING	QUANTITY
3L-SS765-45X6	Slipper Spring - 765mm - 45mm x 6mm	3L	600kg	224/pal
4L-SS765-45X6	Slipper Spring - 765mm - 45mm x 6mm	4L	900kg	300/pal
5L-SS765-45X6	Slipper Spring - 765mm - 45mm x 6mm	5L	1000kg	300/pal
6L-SS765-45X6	Slipper Spring - 765mm - 45mm x 6mm	6L	1200kg	250/pal
8L-SS765-45X6	Slipper Spring - 765mm - 45mm x 6mm	8L	1400kg	200/pal
9L-SS765-45X6	Slipper Spring - 765mm - 45mm x 6mm	9L	1760kg	200/pal

For more information call 1300 214 049, visit our website at [atlanticproducts.com.au](http://atlanticproducts.com.au) or email [sales@atlanticproducts.com.au](mailto:sales@atlanticproducts.com.au)

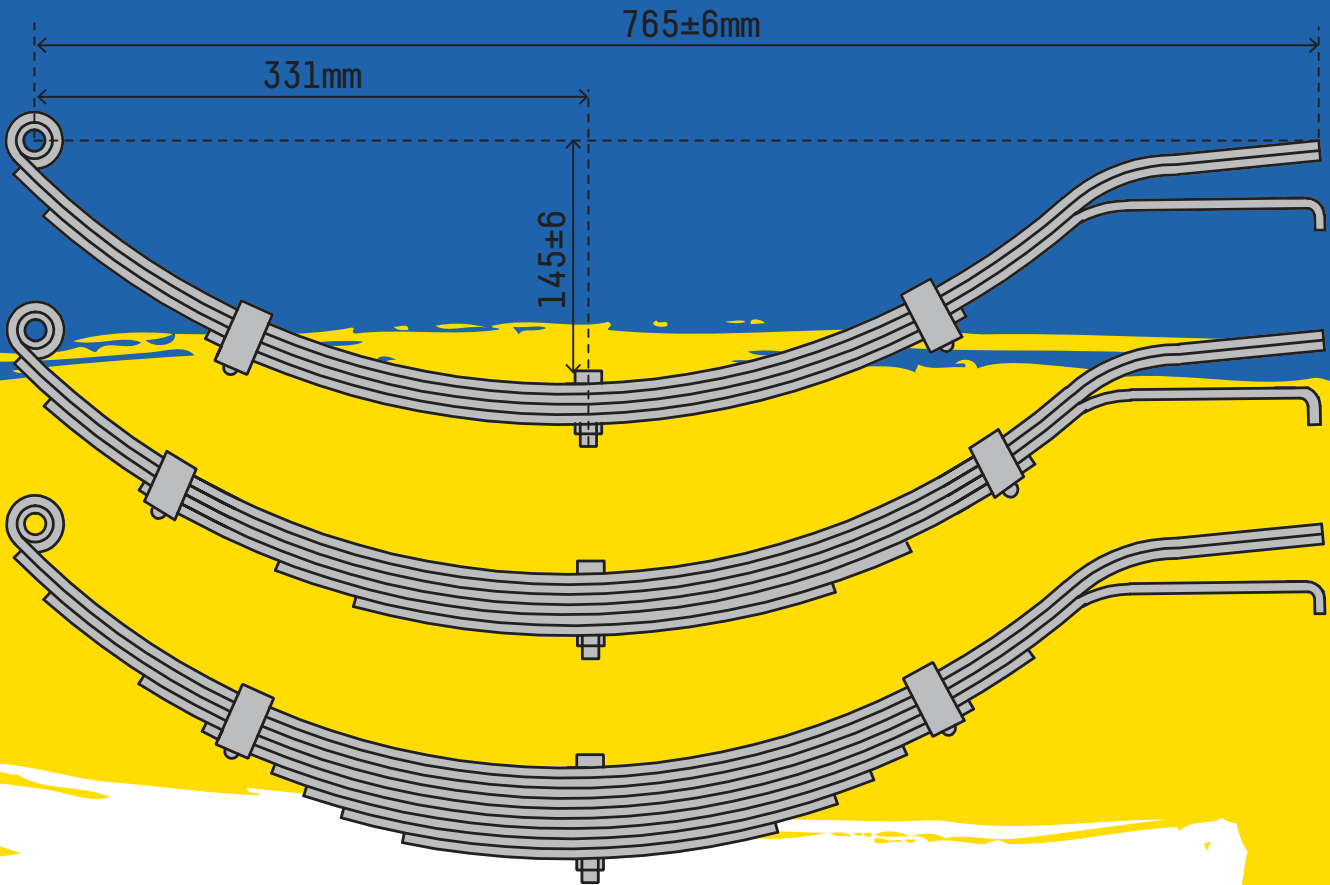


# ATLANTIC

P R O D U C T S

# Springs

EACH  
SPRING IS  
INDIVIDUALLY  
DACROMET  
COATED THEN  
ASSEMBLED



## 45x6 765mm Slipper Springs Hook Tail

PRODUCT	DESCRIPTION	LEAF TYPE	DUAL RATING	QUANTITY
3L-SS765-45X6HT	Slipper Spring - 765mm - 45mm x 6mm Hook Tail	3L	600kg	400/pal
4L-SS765-45X6HT	Slipper Spring - 765mm - 45mm x 6mm Hook Tail	4L	900kg	300/pal
5L-SS765-45X6HT	Slipper Spring - 765mm - 45mm x 6mm Hook Tail	5L	1000kg	300/pal
6L-SS765-45X6HT	Slipper Spring - 765mm - 45mm x 6mm Hook Tail	6L	1200kg	250/pal
7L-SS765-45X6HT	Slipper Spring - 765mm - 45mm x 6mm Hook Tail	7L	1400kg	200/pal
9L-SS765-45X6HT	Slipper Spring - 765mm - 45mm x 6mm Hook Tail	9L	1760kg	200/pal

For more information call 1300 214 049, visit our website at [atlanticproducts.com.au](http://atlanticproducts.com.au) or email [sales@atlanticproducts.com.au](mailto:sales@atlanticproducts.com.au)

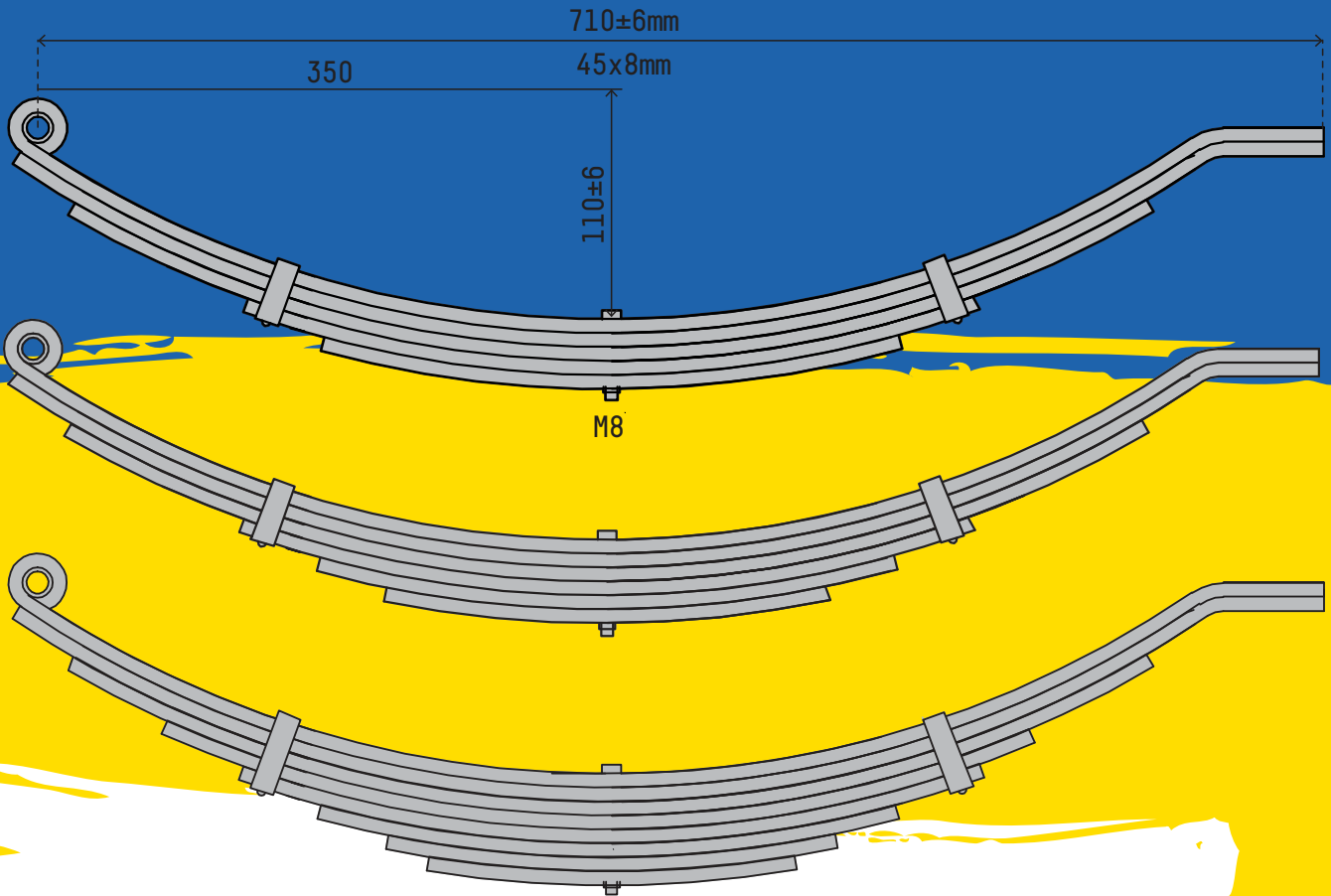


# ATLANTIC

P R O D U C T S

# Springs

EACH  
SPRING IS  
INDIVIDUALLY  
DACROMET  
COATED THEN  
ASSEMBLED



## 45x8 710mm Slipper Springs

PRODUCT	DESCRIPTION	LEAF TYPE	DUAL RATING	QUANTITY
3L-SS710-45X8	Slipper Spring - 710mm - 45mm x 8mm	3L	1080kg	350/pal
4L-SS710-45X8	Slipper Spring - 710mm - 45mm x 8mm	4L	1440kg	300/pal
5L-SS710-45X8	Slipper Spring - 710mm - 45mm x 8mm	5L	1800kg	250/pal
6L-SS710-45X8	Slipper Spring - 710mm - 45mm x 8mm	6L	2180kg	250/pal
8L-SS710-45X8	Slipper Spring - 710mm - 45mm x 8mm	8L	2900kg	200/pal

For more information call 1300 214 049, visit our website at [atlanticproducts.com.au](http://atlanticproducts.com.au) or email [sales@atlanticproducts.com.au](mailto:sales@atlanticproducts.com.au)

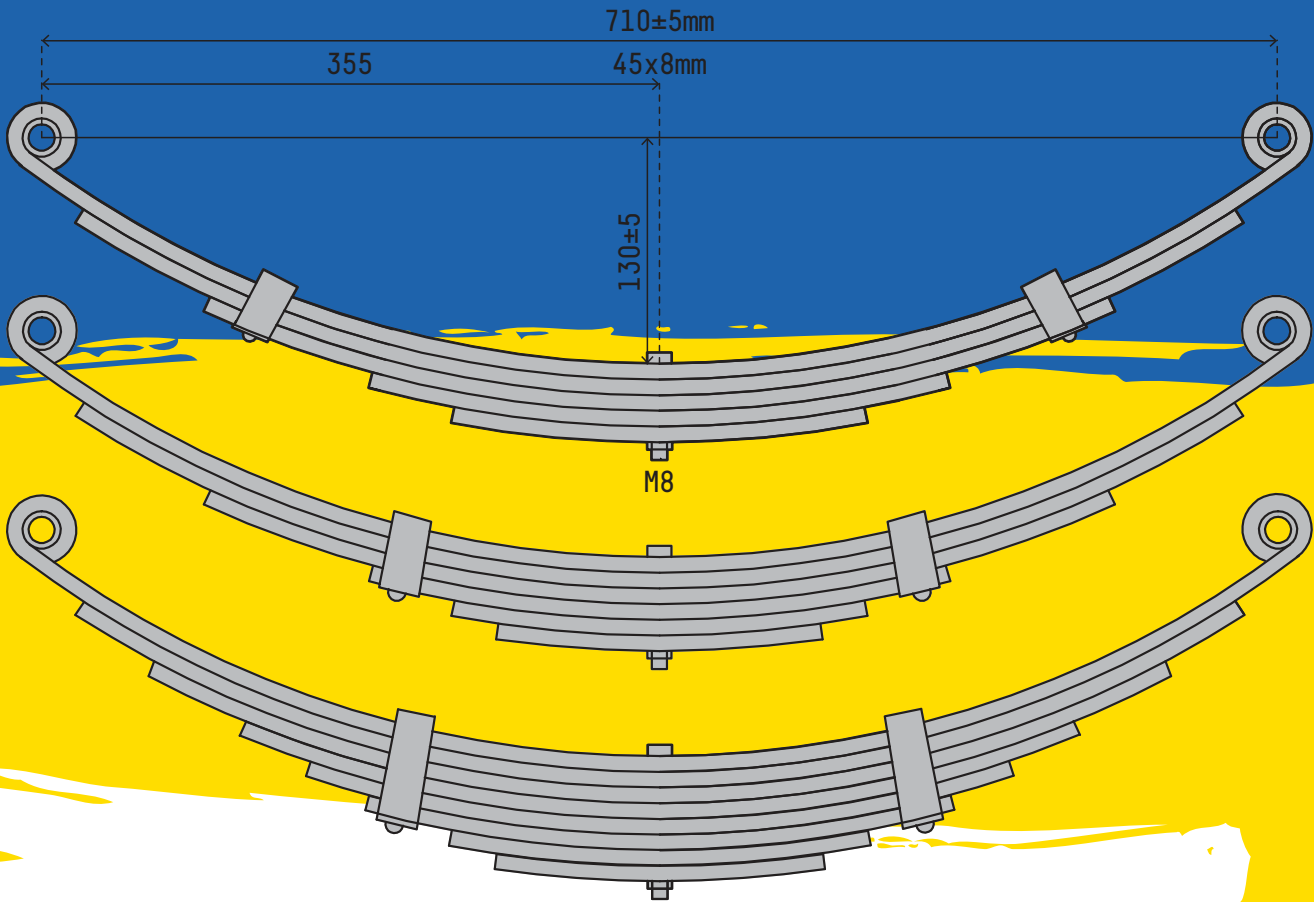


# ATLANTIC

PRODUCTS

# Springs

EACH  
SPRING IS  
INDIVIDUALLY  
DACROMET  
COATED THEN  
ASSEMBLED



## 45x8 710mm Eye to Eye Springs

PRODUCT	DESCRIPTION	LEAF TYPE	DUAL RATING	QUANTITY
3L-E2E710-45X8	Eye to Eye Spring - 710mm - 45mm x 8mm	3L	1060kg	350/pal
4L-E2E710-45X8	Eye to Eye Spring - 710mm - 45mm x 8mm	4L	1400kg	300/pal
5L-E2E710-45X8	Eye to Eye Spring - 710mm - 45mm x 8mm	5L	1760kg	250/pal
6L-E2E710-45X8	Eye to Eye Spring - 710mm - 45mm x 8mm	6L	2100kg	250/pal
8L-E2E710-45X8	Eye to Eye Spring - 710mm - 45mm x 8mm	8L	2800kg	200/pal

For more information call 1300 214 049, visit our website at [atlanticproducts.com.au](http://atlanticproducts.com.au) or email [sales@atlanticproducts.com.au](mailto:sales@atlanticproducts.com.au)

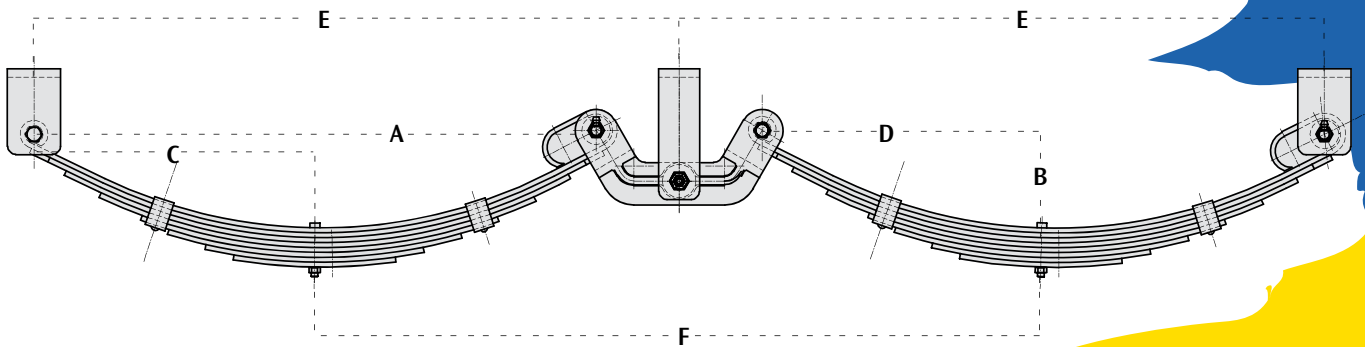


# ATLANTIC

PRODUCTS

# Springs

EACH  
SPRING IS  
INDIVIDUALLY  
DACROMET  
COATED THEN  
ASSEMBLED



## Rocker Roller Springs - Dacromet

PRODUCT	DESCRIPTION	A	B	C	D	E	F	CAPACITY*	QUANTITY
ATL576460D	LH 60mm x 6 leaf suit 14" wheels	687	117	396	291	787	785	1105-1250kg	25/pal
ATL576461D	RH 60mm x 6 leaf suit 14" wheels	687	117	396	291	787	785	1105-1250kg	25/pal
ATL576470D	LH 60mm x 7 leaf suit 14" wheels	687	117	396	291	787	785	1300-1500kg	25/pal
ATL576471D	RH 60mm x 7 leaf suit 14" wheels	687	117	396	291	787	785	1300-1500kg	25/pal
ATL576670D	LH 60mm x 7 leaf suit 16" wheels	687	117	343	343	787	888	1625-2100kg	25/pal
ATL576671D	RH 60mm x 7 leaf suit 16" wheels	687	117	343	343	787	888	1625-2100kg	25/pal
ATL576680D	LH 60mm x 8 leaf suit 16" wheels	687	117	343	343	787	888	1900-2245kg	25/pal
ATL576681D	RH 60mm x 8 leaf suit 16" wheels	687	117	343	343	787	888	1900-2245kg	25/pal

\* Capacity for 2 springs

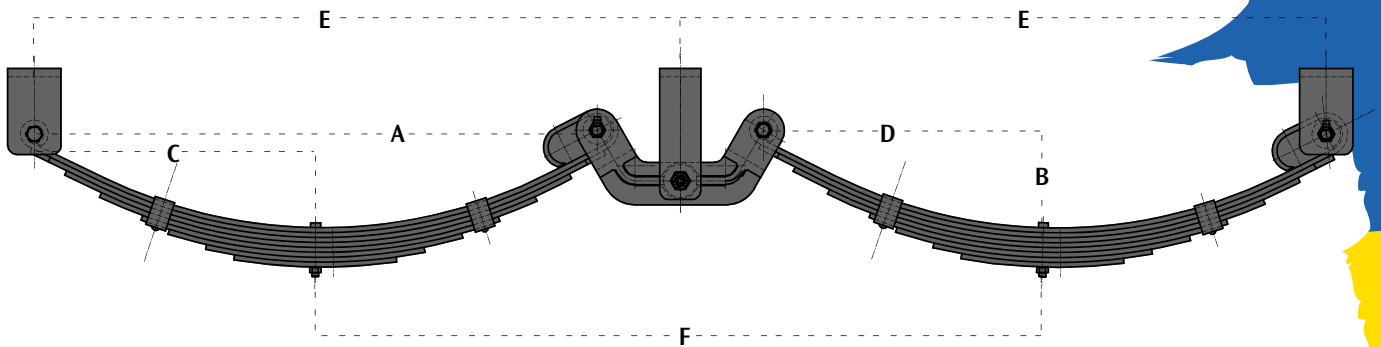
For more information call 1300 214 049, visit our website at [atlanticproducts.com.au](http://atlanticproducts.com.au) or email [sales@atlanticproducts.com.au](mailto:sales@atlanticproducts.com.au)



# ATLANTIC

P R O D U C T S

# Springs



## Rocker Roller Springs - Black

PRODUCT	DESCRIPTION	A	B	C	D	E	F	CAPACITY*	QUANTITY
ATL576450	LH 60mm x 5 leaf suit 14" wheels	687	117	396	291	787	785	950-1100kg	25/pal
ATL576451	RH 60mm x 5 leaf suit 14" wheels	687	117	396	291	787	785	950-1100kg	25/pal
ATL576460	LH 60mm x 6 leaf suit 14" wheels	687	117	396	291	787	785	1105-1250kg	25/pal
ATL576461	RH 60mm x 6 leaf suit 14" wheels	687	117	396	291	787	785	1105-1250kg	25/pal
ATL576470	LH 60mm x 7 leaf suit 14" wheels	687	117	396	291	787	785	1300-1500kg	25/pal
ATL576471	RH 60mm x 7 leaf suit 14" wheels	687	117	396	291	787	785	1300-1500kg	25/pal
ATL576650	LH 60mm x 5 leaf suit 16" wheels	687	117	343	343	787	888	1300-1450kg	25/pal
ATL576651	RH 60mm x 5 leaf suit 16" wheels	687	117	343	343	787	888	1300-1450kg	25/pal
ATL576660	LH 60mm x 6 leaf suit 16" wheels	687	117	343	343	787	888	1450-1600kg	25/pal
ATL576661	RH 60mm x 6 leaf suit 16" wheels	687	117	343	343	787	888	1450-1600kg	25/pal
ATL576670	LH 60mm x 7 leaf suit 16" wheels	687	117	343	343	787	888	1625-2100kg	25/pal
ATL576671	RH 60mm x 7 leaf suit 16" wheels	687	117	343	343	787	888	1625-2100kg	25/pal
ATL576680	LH 60mm x 8 leaf suit 16" wheels	687	117	343	343	787	888	1900-2245kg	25/pal
ATL576681	RH 60mm x 8 leaf suit 16" wheels	687	117	343	343	787	888	1900-2245kg	25/pal

\* Capacity for 2 springs

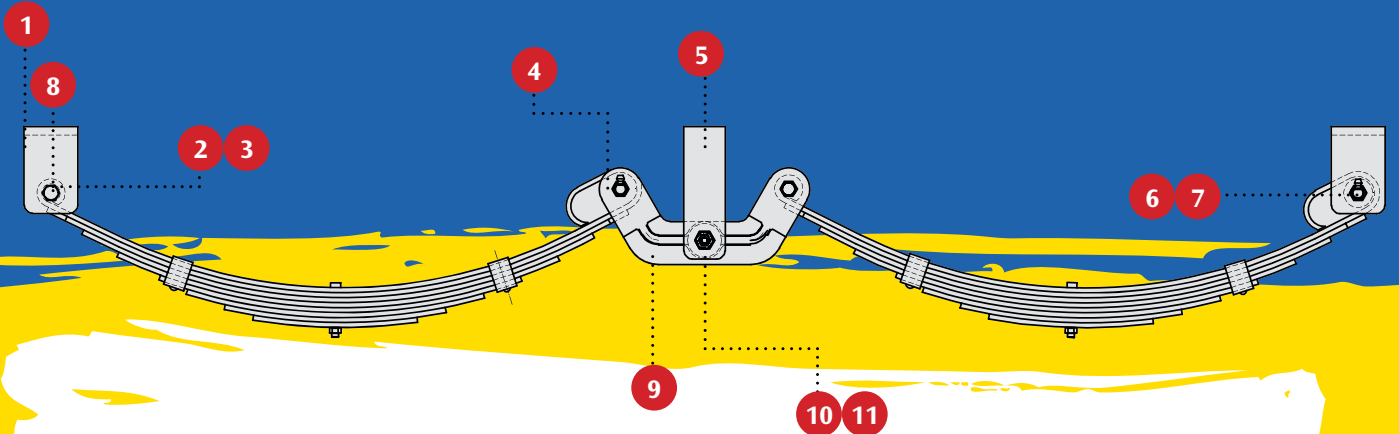
For more information call 1300 214 049, visit our website at [atlanticproducts.com.au](http://atlanticproducts.com.au) or email [sales@atlanticproducts.com.au](mailto:sales@atlanticproducts.com.au)



# ATLANTIC

## PRODUCTS

# Springs Accessories



1



**ATL576302**  
Front / rear hanger 60mm

2



**ATL590707**  
Shackle pin 16mm

3



**ATL590708**  
Shackle pin nyloc nut 16mm

4



**ATL576301**  
Steel roller bush

4



**ATL576301ZN**  
Steel roller bush zinc plated

5



**ATL576305**  
Centre rocker hanger

6



**ATL576304**  
Shackle pin greasable 16mm

7



**ATL590708**  
Shackle pin nyloc nut 16mm

8



**ATL590003**  
Spring nylon bush 16mm

9



**ATL576303**  
Centre rocker arm

9



**ATL576303D**  
Centre rocker arm - Dacromet

10



**ATL576306**  
Centre rocker pin greasable 18mm

11



**ATL590712**  
Centre rocker pin nyloc nut 18mm

6



**ATL590632ZN**  
Shackle pin greasable 16mm zinc plated

6



**ATL590632**  
Shackle pin 'Outback' M16 x 100mm with grease nipple

2



**ATL590707ZN**  
Shackle pin 16mm zinc plated

For more information call 1300 214 049, visit our website at [atlanticproducts.com.au](http://atlanticproducts.com.au) or email [sales@atlanticproducts.com.au](mailto:sales@atlanticproducts.com.au)

