

# ATLANTIC

## WINCHES

# Electric Marine Winch



JETSKI



TINNY BOAT



BOAT UP TO 14FT



BOAT UP TO 18FT



BOAT UP TO 20FT



BOAT UP TO 22FT



CABLE ROPE



Winch Mounting Bolts sold separately

| PRODUCT         | CAPACITY        | GEAR RATIO | CABLE TYPE         | HOOK TYPE | POWER      | QUANTITY |
|-----------------|-----------------|------------|--------------------|-----------|------------|----------|
| <b>CEW2000C</b> | 900kg (2000lb)  | 460:1      | 9m x 4.8mm cable   | Snap Hook | 12V / 280w | 2pcs     |
| <b>CEW3000C</b> | 1350kg (3000lb) | 729:1      | 9m x 5.5mm cable   | Snap Hook | 12V / 300w | 2pcs     |
| <b>CEW3500R</b> | 3500lb          | 729:1      | 10.5m x 5.5mm rope | Snap Hook | 12V / 350w | 2pcs     |

*These entry-level marine winches are economically-priced that can really perform. Our range of Cadet Electric Winches are available in two different gear ratio sizes with load capacity ratings operating from 900kg up to 1350kg.*

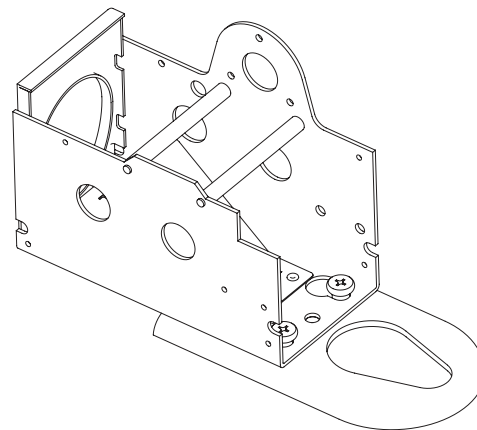
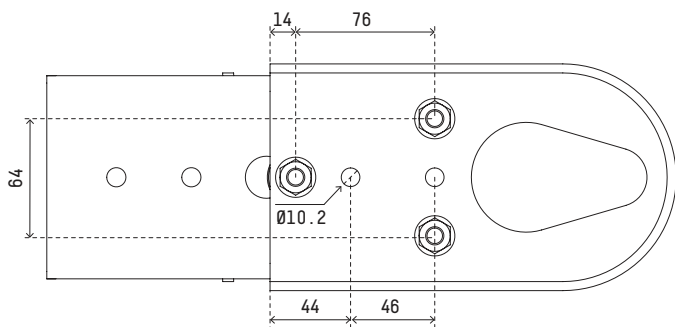
For more information call 1300 214 049, visit our website at [atlanticproducts.com.au](http://atlanticproducts.com.au) or email [sales@atlanticproducts.com.au](mailto:sales@atlanticproducts.com.au)



# ATLANTIC

## WINCHES

|   | CEW2000C                    | CEW3000C                    | CEW3500R                    |
|---|-----------------------------|-----------------------------|-----------------------------|
| <b>Gear Ratio</b>                                 | 460:1                       | 729:1                       | 729:1                       |
| <b>Cable/Webbing/Rope Type</b>                    | Cable                       | Cable                       | Rope                        |
| <b>Hook Type</b>                                  | Snap Hook                   | Snap Hook                   | Snap Hook                   |
| <b>Application (Vessel Type)</b>                  | Incline Pull (Boat Trailer) | Incline Pull (Boat Trailer) | Incline Pull (Boat Trailer) |
| <b>Cable/Webbing/Rope Length (Maximum Length)</b> | 9m x 4.8mm                  | 9m x 5.5m                   | 10.5m x 5.5m                |
| <b>Capacity</b>                                   | 900kg (2000lb)              | 1350kg (3000lb)             | 3500lb                      |
| <b>Ratchet Type</b>                               | Gearshift                   | Gearshift                   | Gearshift                   |
| <b>Unit weight</b>                                | 10.8kg                      | 10.8kg                      | 12.0kg                      |
| <b>Total Dimensions (W x H x D)</b>               | 241 x 191 x 254             | 241 x 191 x 254             | 241 x 191 x 254             |
| <b>Barcode Number</b>                             | 9337451001692               | 9337451001708               | –                           |



ELECTRIC MARINE WINCH DIMENSIONS

For more information call 1300 214 049, visit our website at [atlanticproducts.com.au](http://atlanticproducts.com.au) or email [sales@atlanticproducts.com.au](mailto:sales@atlanticproducts.com.au)

