

ATLANTIC

W I N C H E S

- 2019 / 20 -

Winch Selector Guide



WWW.ATLANTICPRODUCTS.COM.AU



ATLANTIC

W I N C H E S

Something to winch about!

Winch Selector Guide

It can be confusing not knowing what type of winch, strap or hook you might need. Introducing our easy-to-use Atlantic Winch Selector Guide. Whether you're pulling in a small or large water vessel or lifting a heavy load – this guide will help choose the correct winch – including bolt-down dimensions for when mounting the winch to your trailer.

We've also refined our entire product range including upgrades to our compact brake winches – now optional with a full-protective cover and stainless-steel parts. There are also two brand new winch models, including our heavy-duty 'car trailer' brake winch. Sporting a stylish black body, this winch has the capacity to incline pull up to 2500kg!



To use our winch selector, refer to the inside front cover.



For a full list of product specifications, refer to the inside back cover.

Winch Selector Guide:

I need a winch that pulls:



Jetski's:

SMW005W 3:1 Tinny Winch
4.5m webbing strap / S Hook

CMW002W 3:1 Cadet Winch
4.5m webbing strap / S Hook

CMW005W 4:1 Cadet Winch
6m webbing strap / S Hook

CEW2000C 460:1 Electric Winch
9m x 4.8mm cable / Snap Hook



Small tinny boats:

SMW005W 3:1 Tinny Winch
4.5m webbing strap / S Hook

CMW002W 3:1 Cadet Winch
4.5m webbing strap / S Hook

CMW005W 4:1 Cadet Winch
6m webbing strap / S Hook

CEW2000C 460:1 Electric Winch
9m x 4.8mm cable / Snap Hook



Boats up to 14ft:

MW202W 3:1 Marine Winch
6m webbing strap / S Hook

MW201R 3:1 Marine Winch
6m x 4mm rope / S Hook

MW212C 3:1 Marine Winch
6m x 4mm cable / S Hook

CEW2000C 460:1 Electric Winch
9m x 4.8mm cable / Snap Hook



Boats up to 18ft:

MW204W 5:1 Marine Winch
6m webbing strap / Snap Hook

MW203R 5:1 Marine Winch
6m x 5mm rope / Snap Hook

MW214C 5:1 Marine Winch
6m x 4mm cable / Snap Hook

CEW2000C 460:1 Electric Winch
9m x 4.8mm cable / Snap Hook



Boats up to 20ft:

MW206W 5:1/1:1 Marine Winch
7.5m webbing strap / Snap Hook

MW205R 5:1/1:1 Marine Winch
7.5m x 5mm rope / Snap Hook

MW217C 5:1/1:1 Marine Winch
7.5m x 5mm cable / Snap Hook

CEW3000C 729:1 Electric Winch
9m x 5.5mm cable / Snap Hook



Boats up to 22ft:

MW208W 10:1/5:1/1:1 Marine Winch
7.5m webbing strap / Snap Hook

MW207R 10:1/5:1/1:1 Marine Winch
7.5m x 6mm rope / Snap Hook

MW220C 10:1/5:1/1:1 Marine Winch
7.5m x 6mm cable / Snap Hook

CEW3000C 729:1 Electric Winch
9m x 5.5mm cable / Snap Hook



Boats up to 25ft:

MW210W 15:1/5:1/1:1 Marine Winch
7.5m webbing strap / Snap Hook

MW209R 15:1/5:1/1:1 Marine Winch
7.5m x 7mm rope / Snap Hook

MW223C 15:1/5:1/1:1 Marine Winch
7.5m x 7mm cable / Snap Hook

CEW3000C 729:1 Electric Winch
9m x 5.5mm cable / Snap Hook



Cars up to 2500kg:

CTW2500R 15:1 Car Trailer Winch
15m x 10mm Atlantic Rope / Snap Hook

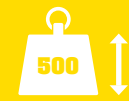
I need a winch that lifts:



Loads up to 300kg:

BW230C 5:1 Compact Brake Winch
7.5m x 5mm cable / Snap Hook

BW230C also available with a full cover, with or without stainless-steel.



Loads up to 500kg:

BW260C 10:1 Compact Brake Winch
7.5m x 6mm cable / Snap Hook

BW260C also available with a full cover, with or without stainless-steel.



Loads up to 725kg:

BW290C 15:1 Compact Brake Winch
8m x 8mm cable / Snap Hook



Loads up to 750kg:

LBW620NC 8:1 Large Brake Winch
Cable and hook sold separately



Loads up to 1500kg:

LBW650NC 15:1 Large Brake Winch
Cable and hook sold separately



Loads up to 1800kg:

LBW680NC 15:1 X-Large Brake Winch
Cable and hook sold separately



For a full list of product specifications, refer to the inside back cover.



For a full list of winch spare parts, refer to the inside back cover.


Small but strong.

Tinny Winch Series

Suitable for pulling either a small Tinny Boat trailer or a larger Jet Ski trailer, the Atlantic range of tinny winches

are available as 3:1 gear ratio – with load capacity ratings operating at 300kg using either a cable or webbing strap.

PRODUCT	CAPACITY	GEAR RATIO	CABLE TYPE	HOOK TYPE	PAGE
SMW003C	300kg (660lb)	3:1	6m x 4mm cable	S Hook	Page 2
SMW005W			4.5m webbing		

 To use our winch selector, refer to the inside front cover.

 For a full list of product specifications, refer to the inside back cover.

Tinny Boat Winch

300kg (660lb)

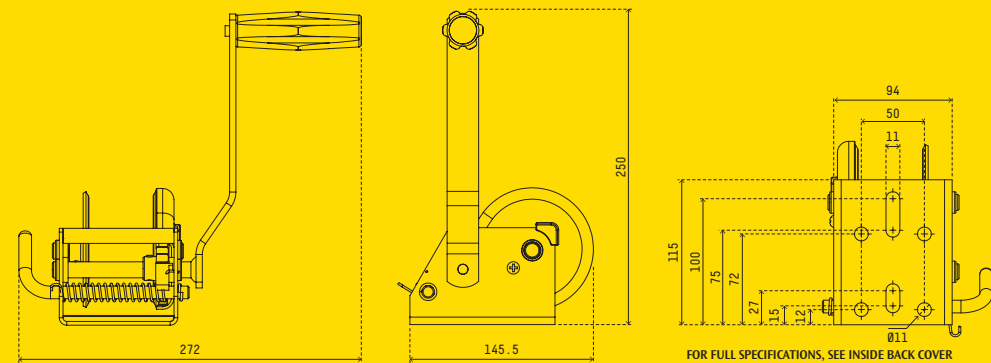


3:1 gear ratio

Machine-cut gears

Hardened steel bushes

Rust resistant Dacromet finish




Size doesn't matter.

Cadet Winch Series

These entry-level winches are perfect for those looking for an economical winch with real performance. The range of Cadet Boat Winches are

available in two different gear ratio sizes – 3:1 or 4:1 with load capacity ratings operating from 300kg up to 550kg using a webbing strap.

PRODUCT CODE	CAPACITY	GEAR RATIO	CABLE TYPE	HOOK TYPE	PAGE
CMW002W	300kg (660lb)	3:1	4.5m Webbing Strap	S Hook	Page 4
CMW005W	550kg (1200lb)	4:1	6m Webbing Strap	S Hook	Page 5

 To use our winch selector, refer to the inside front cover.

 For a full list of product specifications, refer to the inside back cover.

Cadet Boat Winch

300kg (660lb)

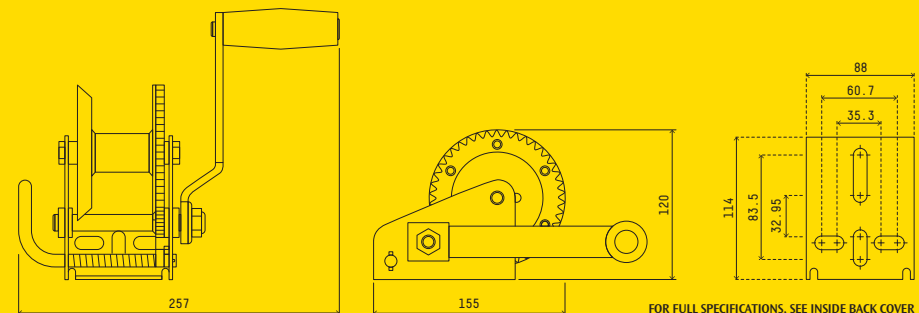


3:1 gear ratio

Machine-cut gears

Hardened steel bushes

Rust resistant Dacromet finish



FOR FULL SPECIFICATIONS, SEE INSIDE BACK COVER



Cadet Boat Winch

550kg (1200lb)

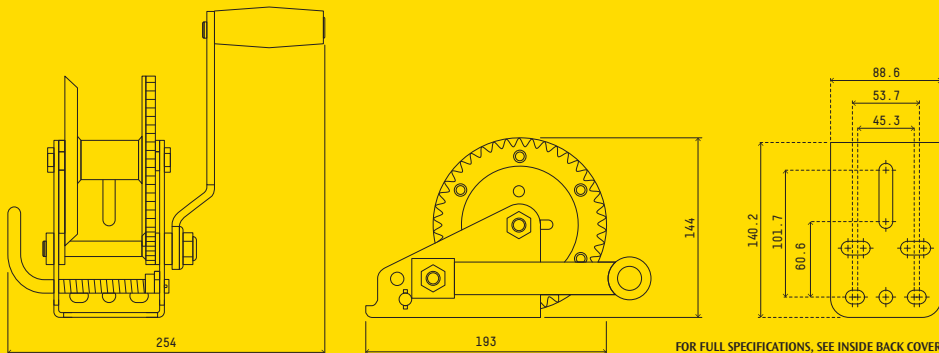


4:1 gear ratio

Machine-cut gears

Hardened steel bushes

Rust resistant Dacromet finish



Bang for bucks.

Electric Winch Series

These entry-level winches are perfect for people looking for an economically-priced winch that can perform. Our range of Cadet Electric Winches are

available in two different gear ratio sizes with load capacity ratings operating from 900kg up to 1350kg using a 5.5mm cable.

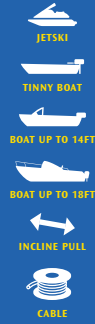
PRODUCT	CAPACITY	GEAR RATIO	CABLE TYPE	HOOK TYPE	POWER	PAGE
CEW2000C	900kg (2000lb)	460:1	9m x 4.8mm Cable	Snap Hook	12V / 280w	Page 7
CEW3000C	1350kg (3000lb)	729:1	9m x 5.5mm Cable	Snap Hook	12V / 300w	Page 8

To use our winch selector, refer to the inside front cover.

For a full list of product specifications, refer to the inside back cover.

Electric Marine Winch

900kg (2000lb)

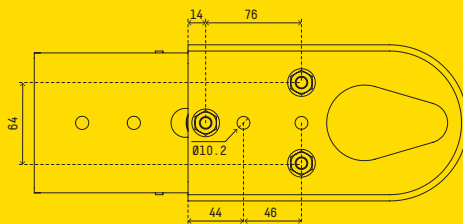
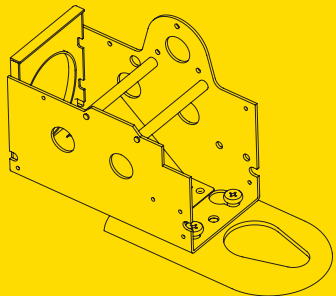


**Power in,
free spool out**

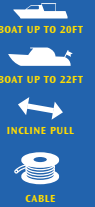
**Suitable for
jetski/tinny's**

**12 volt
280w motor**

**460:1
gear ratio**



FOR FULL SPECIFICATIONS, SEE INSIDE BACK COVER



Electric Marine Winch

1350kg (3000lb)

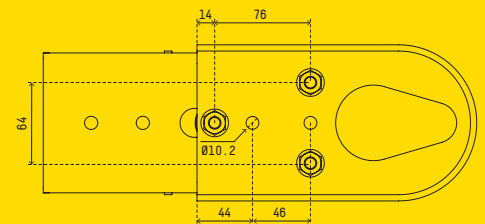
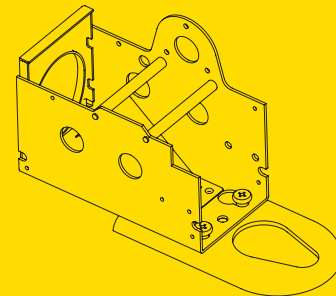


**Power in,
power out**

**Suitable for
18-21 ft boats**

**12 volt
300w motor**

**729:1
gear ratio**



FOR FULL SPECIFICATIONS, SEE INSIDE BACK COVER

Tell that to the Marines.

Marine Winch Series

Our range of Marine Winches are available in five different models with pulling capacity operating from 550kg up to

1500kg. Depending on the application, there's a number of gear ratio speeds with a cable, webbing strap or Atlantic Rope.

PRODUCT	CAPACITY	GEAR RATIO	CABLE TYPE	HOOK TYPE	PAGE
MW201R MW202W MW212C	550kg (1200lb)	3:1	6m x 4mm Rope 6m Webbing Strap 6m x 4mm Cable	S Hook	Page 10
MW203R MW204W MW214C	725kg (1600lb)	5:1	6m x 5mm Rope 6m Webbing Strap 6m x 4mm Cable	Snap Hook	Page 11
MW205R MW206W MW217C	775kg (1700lb)	5:1/1:1	7.5m x 5mm Rope 7.5m Webbing Strap 7.5m x 5mm Cable	Snap Hook	Page 12
MW207R MW208W MW220C	1135kg (2500lb)	10:1/5:1/1:1	7.5m x 6mm Rope 7.5m Webbing Strap 7.5m x 6mm Cable	Snap Hook	Page 13
MW290R MW210W MW223C	1500kg (3300lb)	15:1/5:1/1:1	7.5m x 7mm Rope 7.5m Webbing Strap 7.5m x 7mm Cable	Snap Hook	Page 14

Marine Boat Winch

550kg (1200lb)



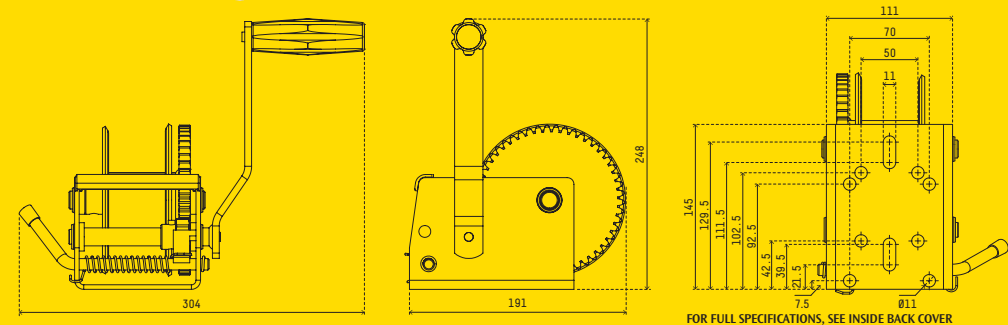
**3:1
gear ratio**

**Machine-cut
gears**

**Hardened steel
bushes**

**Rust resistant
Dacromet finish**

**Available with Atlantic rope,
webbing strap or cable**



FOR FULL SPECIFICATIONS, SEE INSIDE BACK COVER



Marine Boat Winch

725kg (1600lb)



5:1 gear ratio

Machine-cut gears

Hardened steel bushes

Rust resistant Dacromet finish

Available with Atlantic rope, webbing strap or cable



Marine Boat Winch

775kg (1700lb)



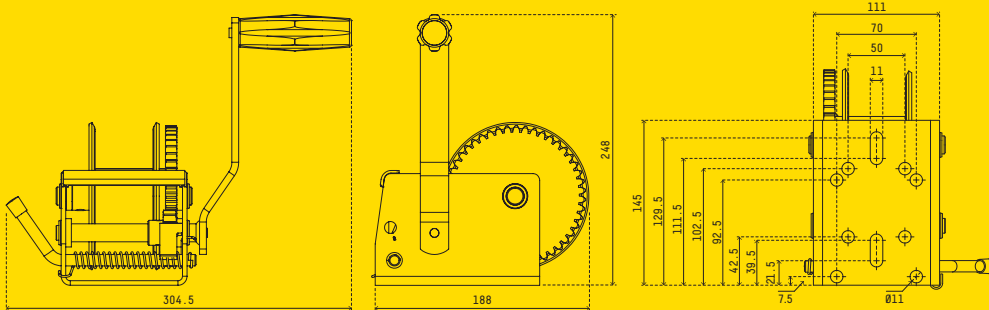
5:1/1:1 gear ratio

Machine-cut gears

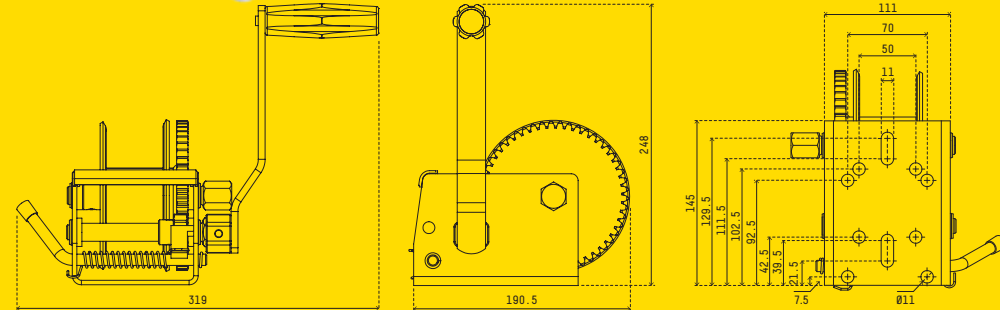
Hardened steel bushes

Rust resistant Dacromet finish

Available with Atlantic rope, webbing strap or cable



FOR FULL SPECIFICATIONS, SEE INSIDE BACK COVER



FOR FULL SPECIFICATIONS, SEE INSIDE BACK COVER



Marine Boat Winch

1135kg (2500lb)



10:1/5:1/1:1
gear ratio

Machine-cut
gears

Hardened steel
bushes

Rust resistant
Dacromet finish

Available with Atlantic rope,
webbing strap or cable



Marine Boat Winch

1500kg (3300lb)

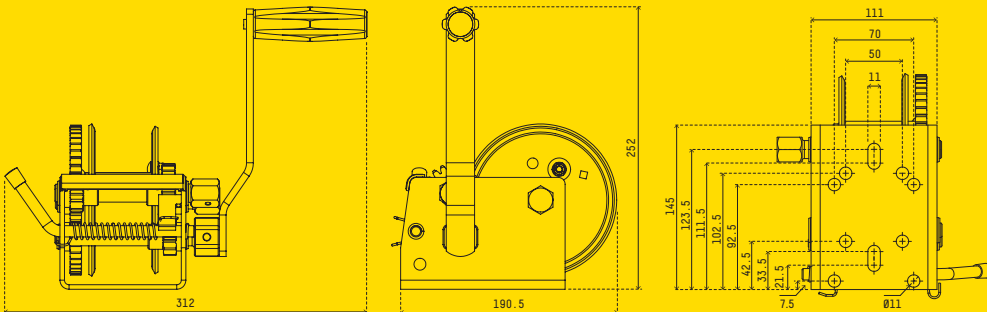


15:1/5:1/1:1
gear ratio

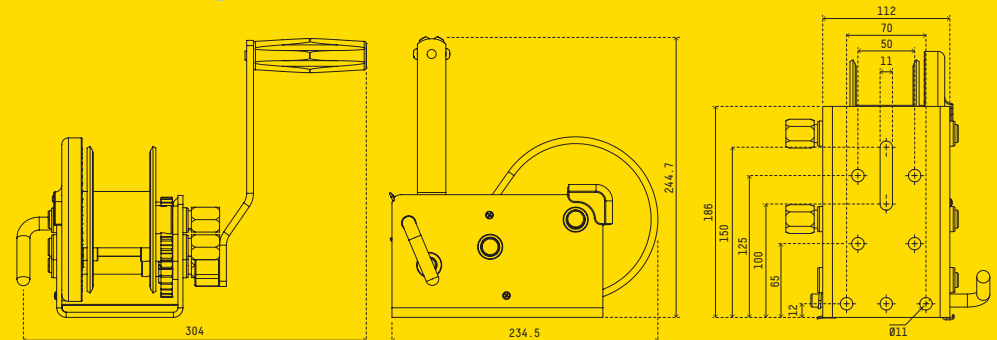
Hardened steel bushes
& machine-cut gears

Rust resistant
Dacromet finish

Available with Atlantic rope,
webbing strap or cable



FOR FULL SPECIFICATIONS, SEE INSIDE BACK COVER



FOR FULL SPECIFICATIONS, SEE INSIDE BACK COVER


Ready for lift off!

Compact Brake Winch Series

Our Compact Brake Winch range are available in 5:1 (300kg), 10:1 (500kg) and 15:1 (725kg). The self actuating

automatic braking mechanism ensures the suspension and 'jerk-free' movement when lowering a load under pressure.

PRODUCT	CAPACITY	GEAR RATIO	CABLE TYPE	HOOK TYPE	PAGE
BW230C BW230C-FC	300kg (660lb) with full-enclosed cover	5:1	7.5m x 5mm Cable	Snap Hook	Page 16
BW260C BW60C-FC	500kg (1100lb) with full-enclosed cover	10:1	7.5m x 6mm Cable	Snap Hook	Page 17
BW290C	725kg (1600lb)	15:1	8m x 8mm Cable	Snap Hook	Page 18

 To use our winch selector, refer to the inside front cover.

 For a full list of product specifications, refer to the inside back cover.

Compact Brake Winch

300kg (660lb)

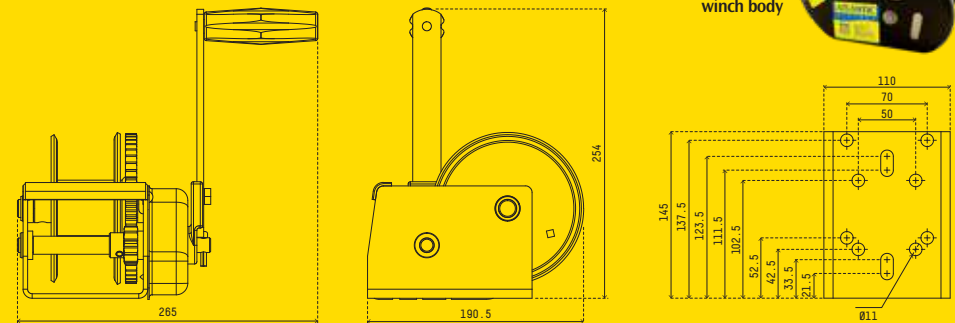


5:1 gear ratio

Machine-cut gears

Hardened steel bushes

Rust resistant Dacromet finish



FOR FULL SPECIFICATIONS, SEE INSIDE BACK COVER

Compact Brake Winch

500kg (1100lb)



10:1
gear ratio

Machine-cut
gears

Hardened steel
bushes

Rust resistant
Dacromet finish

Compact Brake Winch

725kg (1600lb)

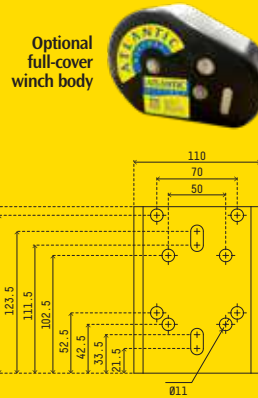
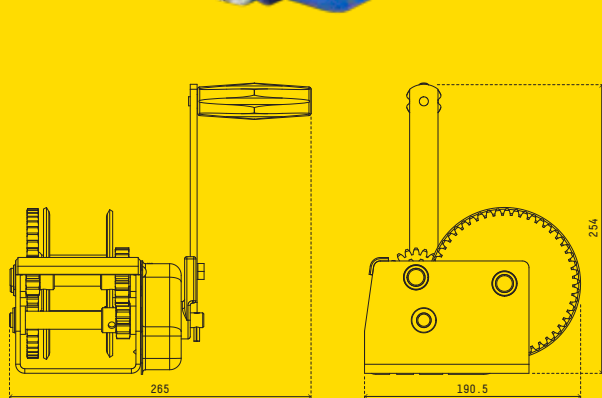


15:1
gear ratio

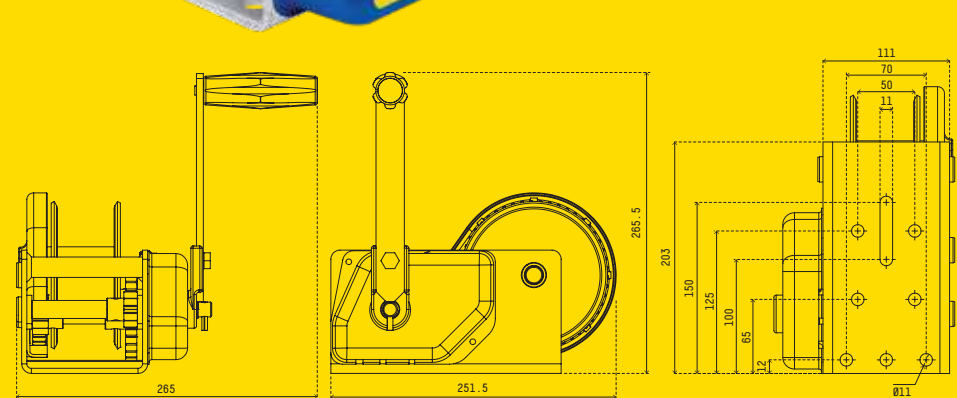
Machine-cut
gears

Hardened steel
bushes

Rust resistant
Dacromet finish



FOR FULL SPECIFICATIONS, SEE INSIDE BACK COVER



FOR FULL SPECIFICATIONS, SEE INSIDE BACK COVER


Steel of the show!

Stainless Steel Winch Series

Our Stainless-steel Compact Brake Winch range is available in the 300kg and 500kg models with a fully enclosed cover.

The 304 Stainless Steel finish is ideal for harsher outdoor environments where corrosion resistance is important.

PRODUCT	CAPACITY	GEAR RATIO	CABLE TYPE	HOOK TYPE	PAGE
BW230C-FCSS	300kg (660lb)	5:1	7.5m x 5mm Cable	Snap Hook	Page 20
BW260C-FCSS	500kg (1100lb)	10:1	7.5m x 6mm Cable	Snap Hook	Page 21

 To use our winch selector, refer to the inside front cover.

 For a full list of product specifications, refer to the inside back cover.

Stainless Steel Brake Winch

300kg (660lb)

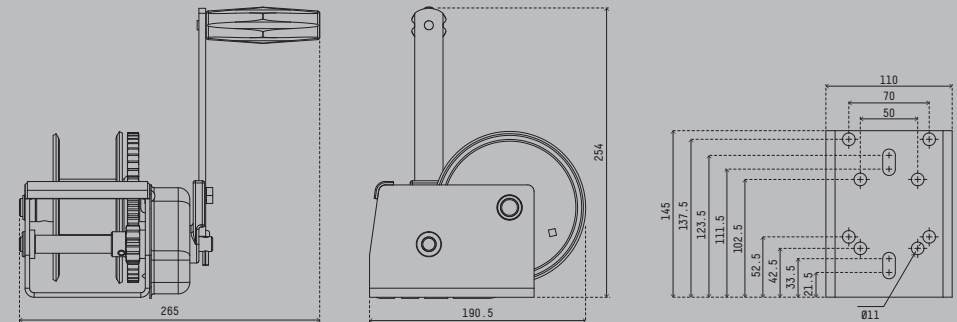


5:1 gear ratio

Machine-cut gears

Hardened steel bushes

304 Stainless Steel finish



FOR FULL SPECIFICATIONS, SEE INSIDE BACK COVER

Stainless Steel Brake Winch

500kg (1100lb)

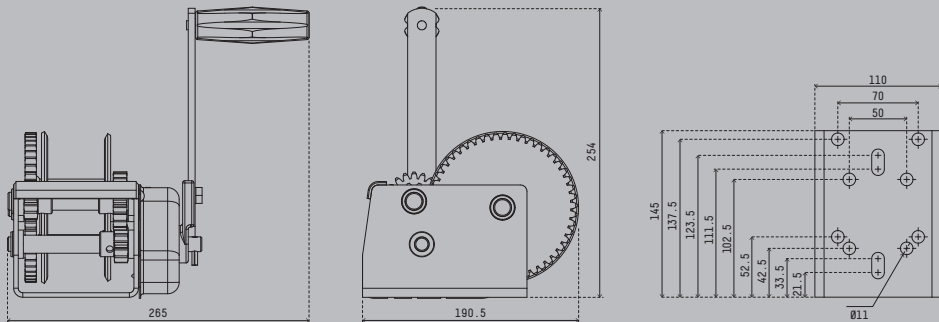


10:1 gear ratio

Machine-cut gears

Hardened steel bushes

304 Stainless Steel finish



FOR FULL SPECIFICATIONS, SEE INSIDE BACK COVER



Larger than life.

Large Brake Winch Series

Our Large Brake Winch range is available in two gear ratio's with lifting capacity operating from 750kg up to 1800kg and pulling capacity up to 2500kg.

The self actuating automatic braking mechanism ensures the suspension and 'jerk-free' movement when lowering a load under pressure.

PRODUCT	CAPACITY	GEAR RATIO	CABLE TYPE	HOOK TYPE	PAGE
LBW620NC	750kg (1650lb)	8:1	Cable sold separately	Hook sold separately	Page 23
LBW650NC	1500kg (3300lb)	15:1	Cable sold separately	Hook sold separately	Page 24
LBW680NC	1800kg (3960lb)	15:1	Cable sold separately	Hook sold separately	Page 25
CTW2500R	2500kg (5500lb)	15:1	15m x 10mm Rope	Snap Hook	Page 26

To use our winch selector, refer to the inside front cover.

For a full list of product specifications, refer to the inside back cover.

Large Brake Winch

750kg (1650lb)

Large Brake Winch

1500kg (3300lb)



**8:1
gear ratio**

**Machine-cut
gears**

**Hardened steel
bushes**

**Rust resistant
Dacromet finish**

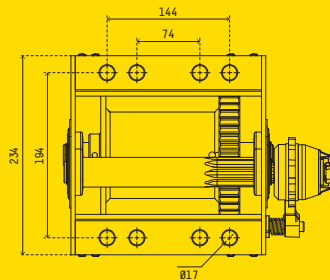
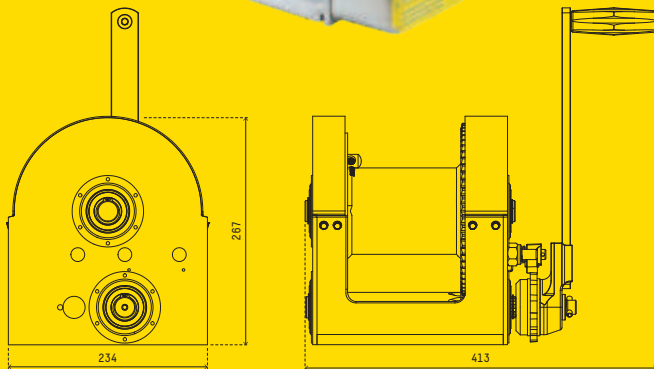


**15:1
gear ratio**

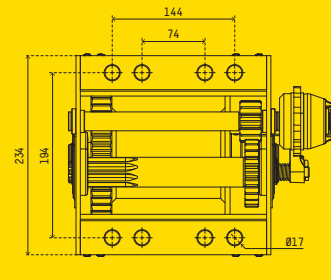
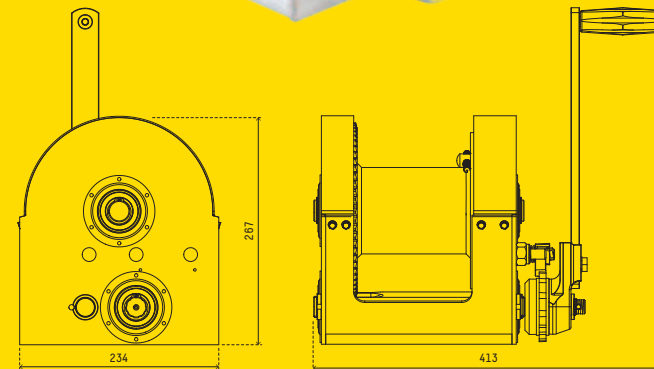
**Machine-cut
gears**

**Hardened steel
bushes**

**Rust resistant
Dacromet finish**



FOR FULL SPECIFICATIONS, SEE INSIDE BACK COVER



FOR FULL SPECIFICATIONS, SEE INSIDE BACK COVER

Extra Large Brake Winch

1800kg (3960lb)



HOLDS UP TO 125 METRES OF CABLE

15:1 gear ratio

Machine-cut gears

Hardened steel bushes

Rust resistant Dacromet finish

Car Trailer Brake Winch

2500kg (5500lb)



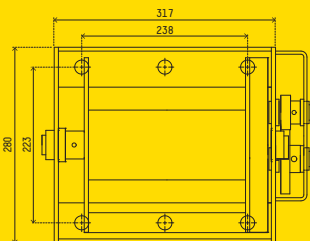
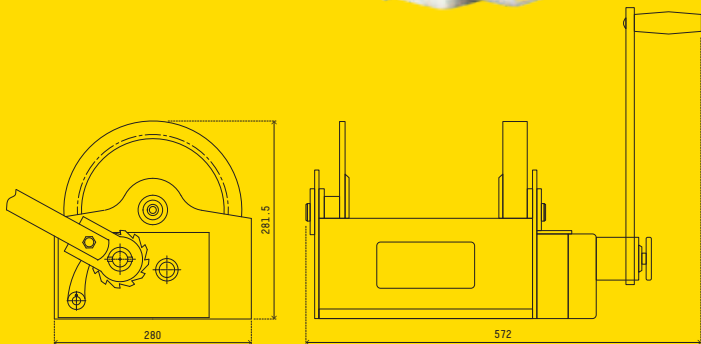
NEW

15:1 gear ratio

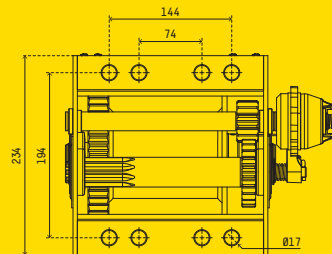
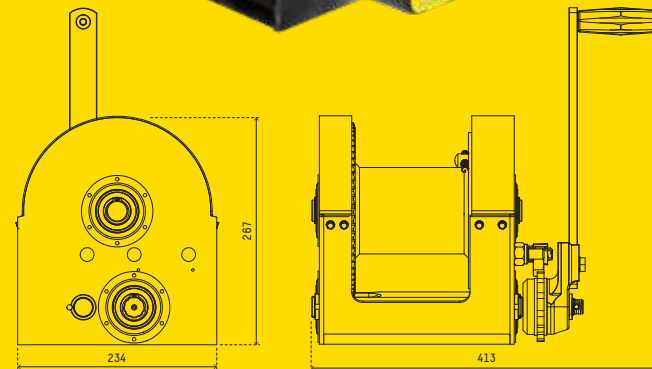
Machine-cut gears

Hardened steel bushes

Power-coat finish to winch body



FOR FULL SPECIFICATIONS, SEE INSIDE BACK COVER



FOR FULL SPECIFICATIONS, SEE INSIDE BACK COVER

Winch Specifications

PRODUCT CODE	SMW003C	SMW005W	CMW002W	CMW005W	CEW2000C	CEW3000C	MW201R	MW202W	MW212C	MW203R	MW204W	MW214C	MW205R	MW206W	MW217C	MW207R	MW208W	MW220C
GEAR RATIO	3:1	3:1	3:1	4:1	460:1	729:1	3:1	3:1	3:1	5:1	5:1	5:1	5:1/1:1	5:1/1:1	5:1/1:1	10:1/5:1/1:1	10:1/5:1/1:1	10:1/5:1/1:1
CABLE/WEBBING/ROPE TYPE	Cable	Webbing Strap	Webbing Strap	Webbing Strap	Cable	Cable	Atlantic Rope	Webbing Strap	Cable	Atlantic Rope	Webbing Strap	Cable	Atlantic Rope	Webbing Strap	Cable	Atlantic Rope	Webbing Strap	Cable
HOOK TYPE	S Hook	S Hook	S Hook	S Hook	Snap Hook	Snap Hook	S Hook	S Hook	S Hook	Snap Hook	Snap Hook	Snap Hook	Snap Hook	Snap Hook	Snap Hook	Snap Hook	Snap Hook	Snap Hook
APPLICATION (VESSEL TYPE)	Incline Pull (Boat Trailer)	Incline Pull (Boat Trailer)	Incline Pull (Boat Trailer)	Incline Pull (Boat Trailer)	Incline Pull (Boat Trailer)	Incline Pull (Boat Trailer)	Incline Pull (Boat Trailer)	Incline Pull (Boat Trailer)	Incline Pull (Boat Trailer)	Incline Pull (Boat Trailer)	Incline Pull (Boat Trailer)	Incline Pull (Boat Trailer)	Incline Pull (Boat Trailer)	Incline Pull (Boat Trailer)	Incline Pull (Boat Trailer)	Incline Pull (Boat Trailer)	Incline Pull (Boat Trailer)	Incline Pull (Boat Trailer)
CABLE/WEBBING/ROPE LENGTH (MAXIMUM LENGTH)	6m x 4mm –	4.5m –	4.5m –	6m –	9m x 4.8mm –	9m x 5.5m –	6m x 4mm (34.5m x 4mm)	6m (8.5m)	6m x 4mm (34.5m x 4mm)	6m x 5mm (20m x 5mm)	6m (8.5m)	6m x 4mm (20m x 4mm)	7.5m x 5mm (20m x 5mm)	7.5m (8.5m)	7.5m x 5mm (20m x 5mm)	7.5m x 6mm (9.5m x 6mm)	7.5m (8.5m)	7.5m x 6mm (9.5m x 6mm)
CAPACITY	300kg (660lb)	300kg (660lb)	300kg (660lb)	550kg (1200lb)	900kg (2000lb)	1350kg (3000lb)	550kg (1200lb)	550kg (1200lb)	550kg (1200lb)	725kg (1600lb)	725kg (1600lb)	725kg (1600lb)	775kg (1700lb)	775kg (1700lb)	775kg (1700lb)	1135kg (2500lb)	1135kg (2500lb)	1135kg (2500lb)
RATCHET TYPE	Pawl Lever	Pawl Lever	Lever Action	Lever Action	Gearshift	Gearshift	Pawl Lever	Pawl Lever	Pawl Lever	Pawl Lever	Pawl Lever	Pawl Lever	Pawl Lever	Pawl Lever	Pawl Lever	Pawl Lever	Pawl Lever	Pawl Lever
UNIT WEIGHT	2.52kg	2.3kg	2.4kg	3.0kg	10.8kg	10.8kg	4.12kg	4.33kg	4.44kg	4.33kg	4.55kg	4.9kg	4.55kg	4.86kg	5.24kg	5.15kg	5.39kg	5.98kg
TOTAL DIMENSIONS (W X H X D)	272 x 250 x 145.5	272 x 250 x 145.5	257 x 120 x 155	254 x 144 x 193	241 x 191 x 254	241 x 191 x 254	304 x 248 x 191	304 x 248 x 191	304 x 248 x 191	304.5 x 248 x 188	304.5 x 248 x 188	304.5 x 248 x 188	319 x 248 x 190.5	319 x 248 x 190.5	319 x 248 x 190.5	312 x 252 x 190.5	312 x 252 x 190.5	312 x 252 x 190.5
BARCODE NUMBER	9337451000015	9337451000008	9337451000862	9 34751000879	9337451001692	9337451001708	9337451000725	9337451000046	9337451000091	9337451000732	9337451000053	9337451000107	9337451000749	9337451000060	9337451000114	9337451000756	9337451000077	9337451000121

PRODUCT CODE	MW209R	MW210W	MW223C	CTW2500R	BW230C	BW230C-FC	BW230C-FCSS	BW240NC	BW260C	BW260C-FC	BW260C-FCSS	BW280NC	BW290C	LBW620NC	LBW650NC	LBW680NC
GEAR RATIO	15:1/5:1/1:1	15:1/5:1/1:1	15:1/5:1/1:1	15:1	5:1	5:1	5:1	5:1	10:1	10:1	10:1	10:1	15:1	8:1	15:1	15:1
CABLE/WEBBING/ROPE TYPE	Atlantic Rope	Webbing Strap	Cable	Atlantic Rope	Cable	Cable	Cable	–	Cable	Cable	Cable	–	Cable	–	–	–
HOOK TYPE	Snap Hook	Snap Hook	Snap Hook	Snap Hook	Snap Hook	Snap Hook	Snap Hook	–	Snap Hook	Snap Hook	Snap Hook	–	Snap Hook	–	–	–
APPLICATION	Incline Pull (Boat Trailer)	Incline Pull (Boat Trailer)	Incline Pull (Boat Trailer)	Incline Pull (Car Trailer)	Direct Lift	Direct Lift	Direct Lift	Direct Lift	Direct Lift	Direct Lift	Direct Lift	Direct Lift	Direct Lift	Direct Lift	Direct Lift	Direct Lift
CABLE/WEBBING/ROPE LENGTH (MAXIMUM LENGTH)	7.5m x 7mm (10m x 7mm)	7.5m (8.0m)	7.5m x 7mm (9.5m x 7mm)	15m x 10mm (45m x 6mm)	7.5m x 5mm (20m x 5mm)	7.5m x 5mm (20m x 5mm)	7.5m x 5mm (20m x 5mm)	– (20m x 5mm)	7.5m x 6mm (9.5mm x 6mm)	7.5m x 6mm (9.5mm x 6mm)	7.5m x 6mm (9.5mm x 6mm)	– (9.5mm x 6mm)	8m x 8mm –	– (45m x 6mm)	– (45m x 6mm)	– (125m x 6mm)
CAPACITY	1500kg (3300lb)	1500kg (3300lb)	1500kg (3300lb)	2500kg (5500lb)	300kg (660lb)	300kg (660lb)	300kg (660lb)	300kg (660lb)	500kg (1100lb)	500kg (1100lb)	500kg (1100lb)	500kg (1100lb)	725kg (1600lb)	750kg (1650lb)	1500kg (3300lb)	1800kg (3960lb)
ULTIMATE BRAKING LOAD	–	–	–	7176kg	1479kg	1479kg	1479kg	–	1948kg	1948kg	1948kg	–	3503kg	5690kg	7176kg	8157kg
ULTIMATE TENSILE STRESS	–	–	–	70.38kN	14.5kN	14.5kN	14.5kN	–	19.1kN	19.1kN	19.1kN	–	34.25kN	55.8kN	70.38kN	80.0kN
RATCHET TYPE	Pawl Lever	Pawl Lever	Pawl Lever	Self Actuating	Self Actuating	Self Actuating	Self Actuating	Self Actuating	Self Actuating	Self Actuating	Self Actuating	Self Actuating	Self Actuating	Self Actuating	Self Actuating	Self Actuating
UNIT WEIGHT	6.5kg	6.9kg	7.3kg	26.0kg	5.56kg	5.56kg	5.56kg	4.58kg	6.09kg	6.09kg	6.09kg	4.90kg	10.5kg	22.8kg	24.0kg	30.0kg
TOTAL DIMENSIONS (W X H X D)	304 x 244.7 x 234.5	304 x 244.7 x 234.5	304 x 244.7 x 234.5	413 x 267 x 234	265 x 254 x 190.5	265 x 254 x 190.5	265 x 254 x 190.5	265 x 254 x 190.5	265 x 254 x 190.5	265 x 254 x 190.5	265 x 254 x 190.5	265 x 254 x 190.5	265 x 254 x 190.5	413 x 267 x 234	413 x 267 x 234	572 x 450 x 280
BARCODE NUMBER	9337451000763	9337451000084	9337451000336	9337451004075	9337451000299	9337451003672	9337451003757	9337451000343	9337451000305	9337451003696	9337451003764	9337451003350	933745103771	9337451000312	9337451000329	9337451000770

Spare Parts



Atlantic Rope plus Hook

AR6MX4MMSHK	6m x 4mm	S hook	500kg
AR5MX5MMSHK	5m x 5mm	S hook	500kg
AR7MX6MMSHK	7m x 6mm	S hook	800kg
AR6MX5MMSNHHK	6m x 5mm	Snap hook	700kg
AR75MX6MMSNHHK	7.5m x 6mm	Snap hook	1000kg
AR75MX7MMSNHHK	7.5m x 7mm	Snap hook	1500kg
AR10MX10MMSNHHK	10m x 10mm	Snap hook	2500kg

Webbing plus Hook

45MWSHK	4.5m	S hook	300kg
6MWSHK	6.0m	S hook	500kg
45MWSNHHK	4.5m	Snap hook	400kg
6MWSNHHK	6.0m	Snap hook	700kg
75MWSNHHK	7.5m	Snap hook	1000kg



Cable plus Hook

6MX4MMSHK	6m x 4mm	S hook	500kg
6MX4MMSNHHK	6m x 4mm	Snap hook	700kg
75MX5MMSNHHK	7.5m x 5mm	Snap hook	800kg
75MX6MMSNHHK	7.5m x 6mm	Snap hook	1000kg
8MX8MMSNHHK	8m x 8mm	Snap hook	1500kg
25MX10MMDS	25m x 10mm	D-Shackle	2500kg



Hooks

SHOOK	Stainless-steel
SNAPHOOK	Galvanised



Handles

HEXHANDLE	For multi-speed winches only
-----------	------------------------------



**Atlantic Products are 100% Australian owned
and operate from their corporate headquarters
based in Adelaide, South Australia.**

Stocked by leading distributors around Australia
and overseas, Atlantic Products manufactures
and distributes a range of winches, wheels and
trailer accessories for the marine, agricultural,
mining and construction industries.

Due to their rapid expansion, Atlantic Products
has positioned warehouse facilities in all key
cities of Australia; plus Shanghai and Hong Kong
for faster lead times to key markets in Europe,
Africa and the USA.



FOR ALL SALES & ENQUIRIES:

Free call 1300 214 049

Email info@atlanticproducts.com.au

www.atlanticproducts.com.au

Please note all information contained in this document is correct at time of printing.
Atlantic Products reserves the right to modify any information without prior notice.

© 2019 Atlantic Products Pty Ltd. DAL6057/2019/BCF

Atlantic Products are industry members with:

