

ATLANTIC

WINCHES


BOAT UP TO 14FT


BOAT UP TO 18FT


ATLANTIC ROPE
WEBBING
ROPE

Marine Boat Winch

Single-speed



Winch Mounting Bolts
sold separately

PRODUCT	CAPACITY	GEAR RATIO	CABLE TYPE	HOOK TYPE	QUANTITY
MW201R	550kg (1200lb)	3:1	6m x 4mm rope	S Hook	4pcs
MW202W	550kg (1200lb)	3:1	6m webbing strap	S Hook	4pcs
MW212C	550kg (1200lb)	3:1	6m x 4mm cable	S Hook	4pcs
MW203R	725kg (1600lb)	5:1	6m x 5mm rope	Snap Hook	4pcs
MW204W	725kg (1600lb)	5:1	6m webbing strap	Snap Hook	4pcs
MW214C	725kg (1600lb)	5:1	6m x 4mm cable	Snap Hook	4pcs

Our single-speed Marine Boat Winches are available in two different gear ratio speed combinations using either a cable, webbing strap or rope suitable for boats up to 18 feet or with pulling capacity operating up to 725kg.

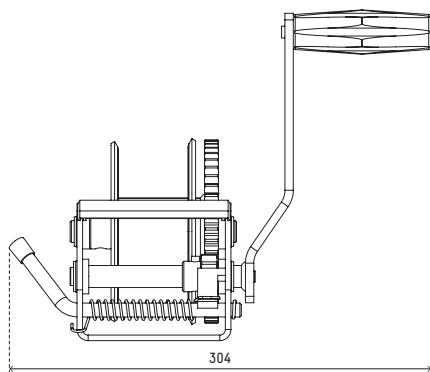
For more information call 1300 214 049, visit our website at atlanticproducts.com.au or email sales@atlanticproducts.com.au



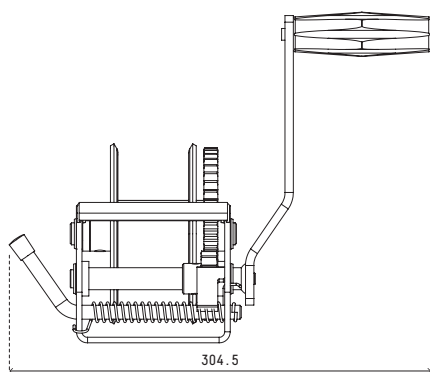
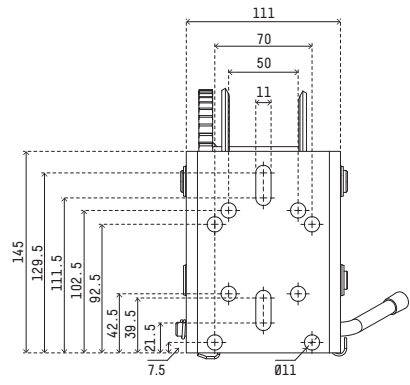
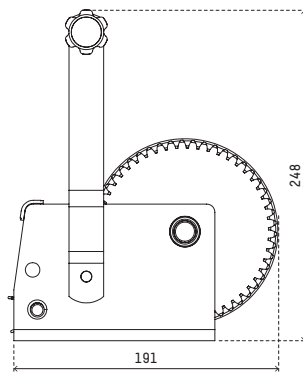
ATLANTIC

WINCHES

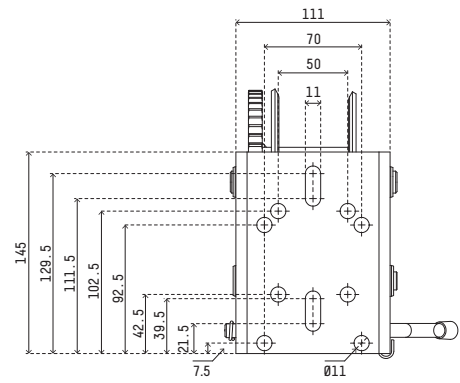
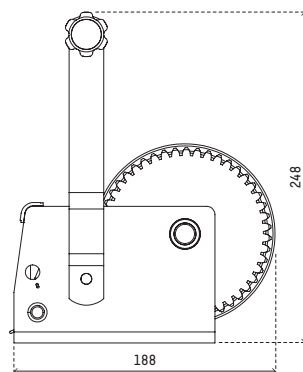
PRODUCT CODE	MW201R	MW202W	MW212C	MW203R	MW204W	MW214C
GEAR RATIO	3:1	3:1	3:1	5:1	5:1	5:1
CABLE/WEBBING/ROPE TYPE	Atlantic Rope	Webbing Strap	Cable	Atlantic Rope	Webbing Strap	Cable
HOOK TYPE	S Hook	S Hook	S Hook	Snap Hook	Snap Hook	Snap Hook
APPLICATION (VESSEL TYPE)	Incline Pull (Boat Trailer)	Incline Pull (Boat Trailer)	Incline Pull (Boat Trailer)	Incline Pull (Boat Trailer)	Incline Pull (Boat Trailer)	Incline Pull (Boat Trailer)
CABLE/WEBBING/ROPE LENGTH (MAXIMUM LENGTH)	6m x 4mm (34.5m x 4mm)	6m (8.5m)	6m x 4mm (34.5m x 4mm)	6m x 5mm (20m x 5mm)	6m (8.5m)	6m x 4mm (20m x 4mm)
CAPACITY	550kg (1200lb)	550kg (1200lb)	550kg (1200lb)	725kg (1600lb)	725kg (1600lb)	725kg (1600lb)
RATCHET TYPE	Pawl Lever	Pawl Lever	Pawl Lever	Pawl Lever	Pawl Lever	Pawl Lever
UNIT WEIGHT	4.12kg	4.33kg	4.44kg	4.33kg	4.55kg	4.9kg
TOTAL DIMENSIONS (W X H X D)	304 x 248 x 191	304 x 248 x 191	304 x 248 x 191	304.5 x 248 x 188	304.5 x 248 x 188	304.5 x 248 x 188
BARCODE NUMBER	9337451000725	9337451000046	9337451000091	9337451000732	9337451000053	9337451000107



3:1 MARINE WINCH DIMENSIONS



5:1 MARINE WINCH DIMENSIONS



For more information call 1300 214 049, visit our website at atlanticproducts.com.au or email sales@atlanticproducts.com.au



ATLANTIC

WINCHES



Marine Boat Winch

2-speed



Winch Mounting Bolts
sold separately

PRODUCT	CAPACITY	GEAR RATIO	CABLE TYPE	HOOK TYPE	QUANTITY
MW205R	775kg (1700lb)	5:1/1:1	7.5m x 5mm rope	Snap Hook	4pcs
MW206W	775kg (1700lb)	5:1/1:1	7.5m webbing strap	Snap Hook	4pcs
MW217C	775kg (1700lb)	5:1/1:1	7.5m x 5mm cable	Snap Hook	4pcs

Our 2-speed Marine Boat Winch is available with either a cable, webbing strap or rope suitable for boats up to 20 feet or with pulling capacity operating up to 775kg.

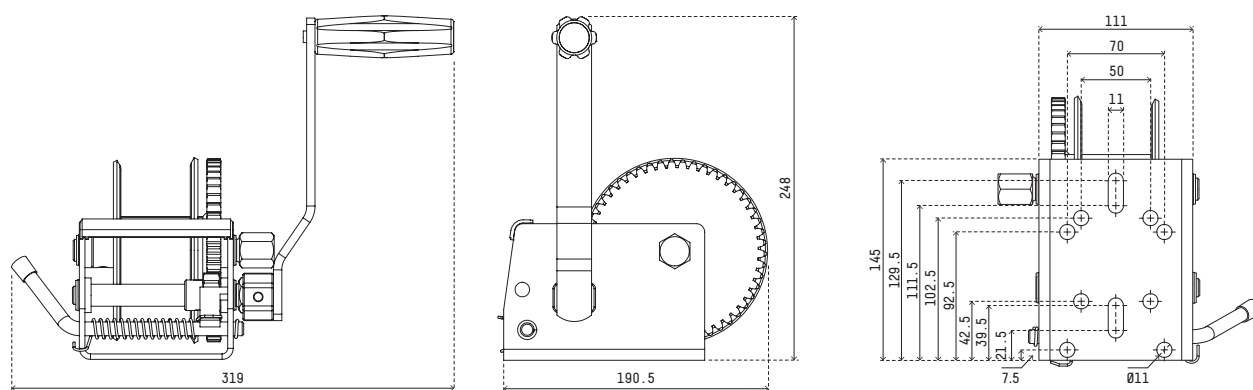
For more information call 1300 214 049, visit our website at atlanticproducts.com.au or email sales@atlanticproducts.com.au



ATLANTIC

WINCHES

	MW203R	MW204W	MW214C
Gear Ratio	5:1	5:1	5:1
Cable/Webbing/Rope Type	Atlantic Rope	Webbing Strap	Cable
Hook Type	Snap Hook	Snap Hook	Snap Hook
Application (Vessel Type)	Incline Pull (Boat Trailer)	Incline Pull (Boat Trailer)	Incline Pull (Boat Trailer)
Cable/Webbing/Rope Length (Maximum Length)	6m x 5mm (20m x 5mm)	6m (8.5m)	6m x 4mm (20m x 4mm)
Capacity	725kg (1600lb)	725kg (1600lb)	725kg (1600lb)
Ratchet Type	Pawl Lever	Pawl Lever	Pawl Lever
Unit weight	4.33kg	4.55kg	4.9kg
Total Dimensions (W x H x D)	304.5 x 248 x 188	304.5 x 248 x 188	304.5 x 248 x 188
Barcode Number	9337451000732	9337451000053	9337451000107



5:1 MARINE WINCH DIMENSIONS

For more information call 1300 214 049, visit our website at atlanticproducts.com.au or email sales@atlanticproducts.com.au



ATLANTIC

WINCHES

Marine Boat Winch

3-speed



BOAT UP TO 20FT



BOAT UP TO 22FT



BOAT UP TO 25FT



ATLANTIC ROPE
WEBBING
ROPE



Winch Mounting Bolts
sold separately

PRODUCT	CAPACITY	GEAR RATIO	CABLE TYPE	HOOK TYPE	QUANTITY
MW207R	1135kg (2500lb)	10:1/5:1/1:1	7.5m x 6mm rope	Snap Hook	4pcs
MW208W	1135kg (2500lb)	10:1/5:1/1:1	7.5m webbing strap	Snap Hook	4pcs
MW220C	1135kg (2500lb)	10:1/5:1/1:1	7.5mm x 6mm cable	Snap Hook	4pcs
MW209R	1500kg (3300lb)	15:1/5:1/1:1	7.5m x 7mm rope	Snap Hook	3pcs
MW210W	1500kg (3300lb)	15:1/5:1/1:1	7.5m webbing strap	Snap Hook	3pcs
MW223C	1500kg (3300lb)	15:1/5:1/1:1	7.5m x 7mm cable	Snap Hook	3pcs

Our 3-speed range of Marine Boat Winches are available in 2 different gear ratio speed combinations using either a cable, webbing strap or rope suitable for boats up to 25 feet or with pulling capacity operating up to 1500kg.

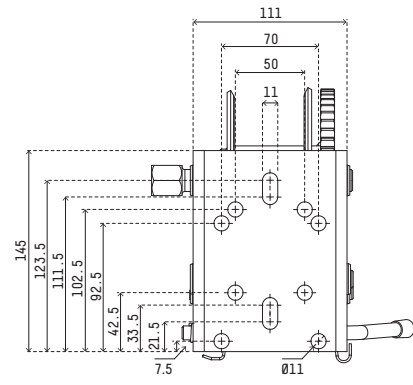
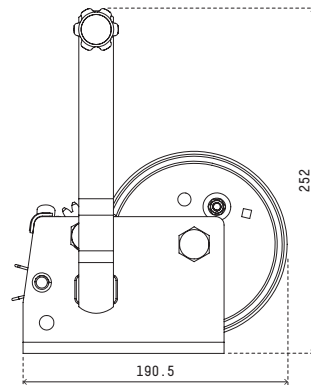
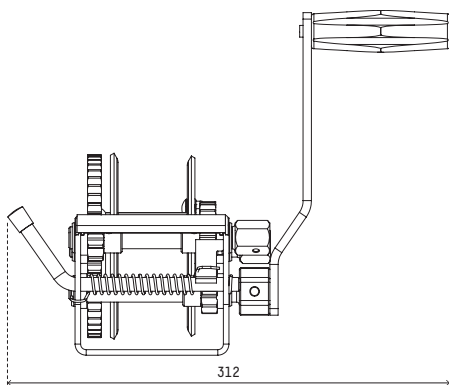
For more information call 1300 214 049, visit our website at atlanticproducts.com.au or email sales@atlanticproducts.com.au



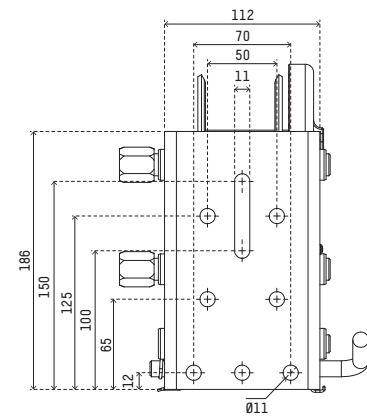
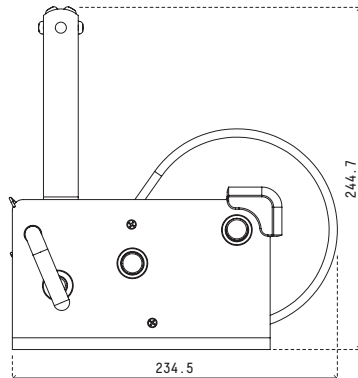
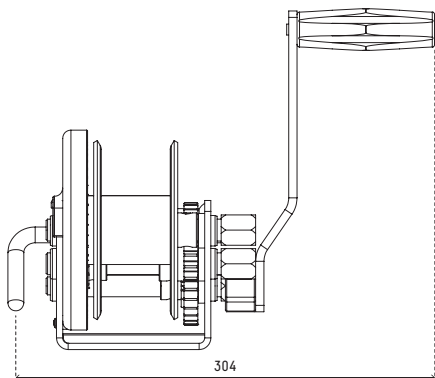
ATLANTIC

WINCHES

	MW207R	MW208W	MW220C	MW209R	MW210W	MW223C
Gear Ratio	10:1/5:1/1:1	10:1/5:1/1:1	10:1/5:1/1:1	15:1/5:1/1:1	15:1/5:1/1:1	15:1/5:1/1:1
Cable/Webbing/Rope Type	Atlantic Rope	Webbing Strap	Cable	Atlantic Rope	Webbing Strap	Cable
Hook Type	Snap Hook	Snap Hook	Snap Hook	Snap Hook	Snap Hook	Snap Hook
Application (Vessel Type)	Incline Pull (Boat Trailer)	Incline Pull (Boat Trailer)	Incline Pull (Boat Trailer)	Incline Pull (Boat Trailer)	Incline Pull (Boat Trailer)	Incline Pull (Boat Trailer)
Cable/Webbing/Rope Length (Maximum Length)	7.5m x 6mm (9.5m x 6mm)	7.5m (8.5m)	7.5m x 6mm (9.5m x 6mm)	7.5m x 7mm (10m x 7mm)	7.5m (8.0m)	7.5m x 7mm (9.5m x 7mm)
Capacity	1135kg (2500lb)	1135kg (2500lb)	1135kg (2500lb)	1500kg (3300lb)	1500kg (3300lb)	1500kg (3300lb)
Ratchet Type	Pawl Lever	Pawl Lever	Pawl Lever	Pawl Lever	Pawl Lever	Pawl Lever
Unit weight	5.15kg	5.39kg	5.98kg	6.5kg	6.9kg	7.3kg
Total Dimensions (W x H x D)	312 x 252 x 190.5	312 x 252 x 190.5	312 x 252 x 190.5	304 x 244.7 x 234.5	304 x 244.7 x 234.5	304 x 244.7 x 234.5
Barcode Number	9337451000756	9337451000077	9337451000121	9337451000763	9337451000084	9337451000336



10:1/5:1/1:1 MARINE WINCH DIMENSIONS



15:1/5:1/1:1 MARINE WINCH DIMENSIONS

For more information call 1300 214 049, visit our website at atlanticproducts.com.au or email sales@atlanticproducts.com.au

