

# ATLANTIC

P R O D U C T S



# Products Guide

-2024-



[WWW.ATLANTICPRODUCTS.COM.AU](http://WWW.ATLANTICPRODUCTS.COM.AU)

**HAUL-IT**

# Index

Alloy Wheels - X Series	59	Springs - Eye to Eye Spring - 45x8 710mm	48
Alloy Wheels - Predator	58	Springs - Rocker Roller Springs - Accessories	51
Alloy Wheels - Ripper	61	Springs - Rocker Roller Springs - Black	50
Alloy Wheels - T Series	60	Springs - Rocker Roller Springs - Dacromet	49
Bearings - Wheel Bearings	41	Springs - Slipper Spring - 45x6 765mm	45
Bike Racks - Vertical Bike Rack	63	Springs - Slipper Spring - 45x8 710mm	47
Brackets - Eye Post Brackets	37	Tie Down - Stainless Steel Tie-Down Ratchet	32
Brackets - Roller Spindles	35	Tie-Down - Tie-Down Ratchets	31
Brackets - Single Stem Keel Roller Brackets	36	Tow Bar Accessories	30
Brackets - Wood Yoke Brackets	37	Trailer Bracket - Adjustable Stem Brackets	37
Brake Cable - Brake Cable Assembly	44	Trailer Bracket - Bolt-on Bracket	38
Chain - Chain Links	39	Trailer Bracket - Double Stem Keel Roller Brackets	36
Chain - Safety Chains Black Finish	39	Winch - Boat Winch Cadet Series - 300kg (660lb)	2
Chain - Safety Chains Hot Dip Galv.	39	Winch - Brake Compact - 500kg (1100lb)	19
Fasteners - 8.8 Grade Bolts & Washers	38	Winch - Brake Compact - 725kg (1600lb)	20
Galvanised Wheels	57	Winch - Brake Winch Compact - 300kg (660lb)	18
Jerry Can Holder with Mount	62	Winch - Brake Winch Extra Large 1800kg (3960lb)	25
Lights - Trailer Light Boards	43	Winch - Cadet Boat Cadet Series - 550kg (1200lb)	3
Outboard Motor Support Bracket	40	Winch - Car Trailer Brake Winch	26
Rollers - Bow Rollers	34	Winch - Electric 2000lb 12v / 280w	6
Rollers - Centering Roller	34	Winch - Electric 3000lb 12v / 300w	7
Rollers - Glider Centering Kit	35	Winch - Electric 3500lb 12v / 350w	8
Rollers - Hard Keel Rollers	33	Winch - Haul-it Electric Marine Winch	9
Rollers - Keel Roller Brackets	36	Winch - Haul-It Jetski & Tinny Winch	4
Rollers - Rubber Keel Rollers	34	Winch - Large Brake Winch 1500kg (3300lb)	23
Rollers - Soft Polyurethane Rollers	33	Winch - Large Brake Winch 1500kg (3300lb)	24
Rollers - Teflon Skid Strips	35	Winch - Large Brake Winch 750kg (1650lb)	22
Rollers - Trailer Blocks	34	Winch - Trailer Boat Winch 1500kg (3300lb)	16
Rollers - Wobble Rollers	33	Winch - Trailer Boat Winch 1135kg (2500lb)	15
Shackles - D & Bow Shackles	42	Winch - Trailer Boat Winch 550kg (1200lb)	11
Spare Wheel Carrier - Spare Wheel Carrier U-Bolt	52	Winch - Trailer Boat Winch 725kg (1600lb)	12
Spare Wheel Carrier - Spare Wheel Mount Large Alloy Trailer	56	Winch - Trailer Boat Winch 775kg (1700lb)	14
Spare Wheel Carrier - Spare Wheel Mount Large Galv Trailer	54	Winch Spares - Winch Cable	29
Spare Wheel Carrier - Spare Wheel Mount Small - Alloy Trailer	55	Winch Spares - Winch Rope	27
Spare Wheel Carrier - Spare Wheel Mount Small Galv Trailer	53	Winch Spares - Winch Webbing	28
Springs - Slipper Spring Hook Tail - 45x6 765mm	46		

## Winch Selector Guide



### Jetski's:

**SMW007R** 3:1 Cadet Winch  
6m x 4mm rope / S Hook

**SMW008R** 4:1 Cadet Winch  
6m x 4mm rope / S Hook

**CMW002W** 3:1 Cadet Winch  
4.5m webbing strap / S Hook

**CMW003C** 3:1 Cadet Winch  
6m x 4mm cable / S Hook

**CMW005W** 4:1 Cadet Winch  
6m webbing strap / S Hook

**HMW005W** 4:1 Cadet Winch  
6m webbing strap / S Hook

**CEW2000C** 460:1 Electric Winch  
9m x 4.8mm cable / Snap Hook



### Small tinny boats:

**SMW007R** 3:1 Cadet Winch  
6m x 4mm rope / S Hook

**SMW008R** 4:1 Cadet Winch  
6m x 4mm rope / S Hook

**CMW002W** 3:1 Cadet Winch  
4.5m webbing strap / S Hook

**CMW005W** 4:1 Cadet Winch  
6m webbing strap / S Hook

**HMW005W** 4:1 Cadet Winch  
6m webbing strap / S Hook

**CMW006C** 4:1 Cadet Winch  
6m x 4mm cable / S Hook

**CEW2000C** 460:1 Electric Winch  
9m x 4.8mm cable / Snap Hook



### Boats up to 14ft:

**SMW007R** 3:1 Cadet Winch  
6m x 4mm rope / S Hook

**SMW008R** 4:1 Cadet Winch  
6m x 4mm rope / S Hook

**MW202W** 3:1 Marine Winch  
6m webbing strap / S Hook

**MW201R** 3:1 Marine Winch  
6m x 4mm rope / S Hook

**MW212C** 3:1 Marine Winch  
6m x 4mm cable / S Hook

**CEW2000C** 460:1 Electric Winch  
9m x 4.8mm cable / Snap Hook



### Boats up to 18ft:

**MW204W** 5:1 Marine Winch  
6m webbing strap / Snap Hook

**MW203R** 5:1 Marine Winch  
6m x 5mm rope / Snap Hook

**MW214C** 5:1 Marine Winch  
6m x 4mm cable / Snap Hook

**CEW2000C** 460:1 Electric Winch  
9m x 4.8mm cable / Snap Hook



### Boats up to 20ft:

**MW206W** 5:1/1:1 Marine Winch  
7.5m webbing strap / Snap Hook

**MW205R** 5:1/1:1 Marine Winch  
7.5m x 5mm rope / Snap Hook

**MW217C** 5:1/1:1 Marine Winch  
7.5m x 5mm cable / Snap Hook

**CEW3000C** 729:1 Electric Winch  
9m x 5.5mm cable / Snap Hook

**HEW3500C** 729:1 Electric Winch  
10.5m x 5.5mm cable / Snap Hook



### Boats up to 22ft:

**MW208W** 10:1/5:1/1:1 Marine Winch  
7.5m webbing strap / Snap Hook

**MW207R** 10:1/5:1/1:1 Marine Winch  
7.5m x 6mm rope / Snap Hook

**MW220C** 10:1/5:1/1:1 Marine Winch  
7.5m x 6mm cable / Snap Hook

**CEW3000C** 729:1 Electric Winch  
9m x 5.5mm cable / Snap Hook

**HEW3500C** 729:1 Electric Winch  
10.5m x 5.5mm cable / Snap Hook



### Boats up to 25ft:

**MW210W** 15:1/5:1/1:1 Marine Winch  
7.5m webbing strap / Snap Hook

**MW209R** 15:1/5:1/1:1 Marine Winch  
7.5m x 7mm rope / Snap Hook

**MW223C** 15:1/5:1/1:1 Marine Winch  
7.5m x 7mm cable / Snap Hook

**CEW3000C** 729:1 Electric Winch  
9m x 5.5mm cable / Snap Hook

**HEW3500C** 729:1 Electric Winch  
10.5m x 5.5mm cable / Snap Hook



### Cars up to 2500kg:

**CTW2500R** 15:1 Car Trailer Winch  
15m x 10mm Atlantic Rope / Snap Hook

**I need a winch that pulls:**

**I need a winch that lifts:**



### Loads up to 300kg:

**BW230C** 5:1 Compact Brake Winch  
7.5m x 5mm cable / Snap Hook

BW230C also available with a full cover, with or without stainless-steel.



### Loads up to 500kg:

**BW260C** 10:1 Compact Brake Winch  
7.5m x 6mm cable / Snap Hook

BW260C also available with a full cover, with or without stainless-steel.



### Loads up to 725kg:

**BW290C** 15:1 Compact Brake Winch  
8m x 8mm cable / Snap Hook



### Loads up to 750kg:

**LBW620NC** 8:1 Large Brake Winch  
Cable and hook sold separately



### Loads up to 1500kg:

**LBW650NC** 15:1 Large Brake Winch  
Cable and hook sold separately



### Loads up to 1800kg:

**LBW680NC** 15:1 X-Large Brake Winch  
Cable and hook sold separately



For a full list of product specifications, refer to the inside back cover.



For a full list of winch spare parts, refer to the inside back cover.

# Size doesn't matter.

## Cadet Winch Series

These entry-level winches are perfect for those looking for an economical winch with real performance. The range of Cadet Boat Winches are

available in two different gear ratio sizes – 3:1 or 4:1 with load capacity ratings operating from 300kg up to 550kg using a webbing strap, cable or rope.

PRODUCT CODE	CAPACITY	GEAR RATIO	CABLE TYPE	HOOK TYPE	QUANTITY	IMAGE
CMW002W	300kg (660lb)	3:1	4.5m Webbing Strap	S Hook	4pcs	Page 2
CMW003C	300kg (660lb)	3:1	6m x 4mm cable	S Hook	4pcs	–
CMW004NC	300kg (660lb)	3:1	No Cable	–	4pcs	–
SMW007R	300kg (660lb)	3:1	6m x 4mm rope	S Hook	4pcs	–
CMW005W	550kg (1200lb)	4:1	6m Webbing Strap	S Hook	4pcs	Page 3
CMW006C	550kg (1200lb)	4:1	6m x 4mm cable	S Hook	4pcs	–
CMW007NC	550kg (1200lb)	4:1	No Cable	–	4pcs	–
SMW008R	550kg (1200lb)	4:1	6m x 4mm rope	S Hook	4pcs	–
HMW005W	550kg (1200lb)	4:1	6m Webbing Strap	S Hook	4pcs	Page 4
CMW-HANDLE	Removable Handle	–	–	–	25pcs	–

# Cadet Boat Winch

## 300kg (660lb)



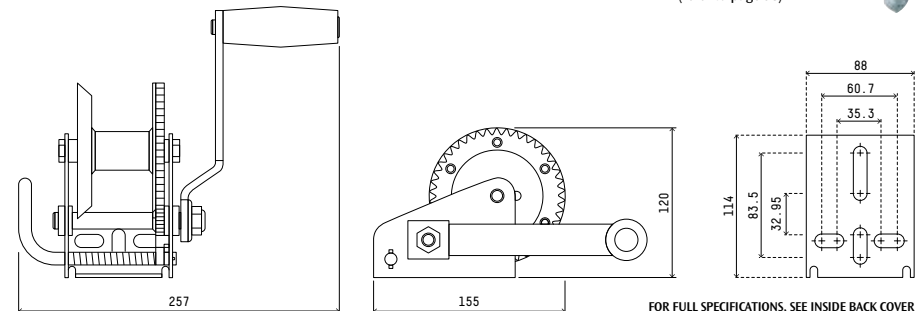
**3:1 gear ratio**

**Machine-cut gears**

**Rust resistant Dacromet finish**

**Available with Atlantic Rope**

Winch Mounting Bolts sold separately (refer to page 38)



FOR FULL SPECIFICATIONS, SEE INSIDE BACK COVER

-  JETSKI
-  TINNY BOAT
-  INCLINE PULL
-  ATLANTIC ROPE WEBBING
-  REMOVABLE HANDLE

# Cadet Boat Winch

**550kg (1200lb)**



**4:1 gear ratio**

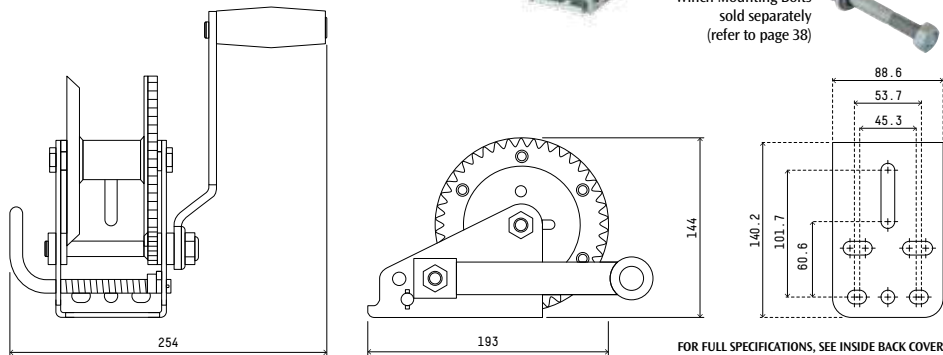
**Machine-cut gears**

**Rust resistant Dacromet finish**

**Available with Atlantic Rope**



Winch Mounting Bolts sold separately (refer to page 38)



# Jetski & Tinny Winch

**550kg (1200lb)**

-  JETSKI
-  TINNY BOAT
-  INCLINE PULL
-  WEBBING
-  REMOVABLE HANDLE



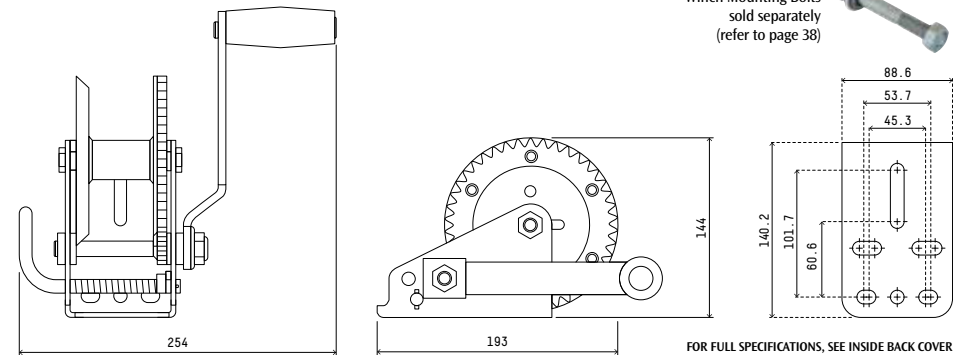
**4:1 gear ratio**

**6.1m webbing strap**

**Stainless-steel S Hook**

**Rust resistant Designer Black finish**

Winch Mounting Bolts sold separately (refer to page 38)




# Bang for bucks.

## Electric Winch Series

These entry-level winches are perfect for people looking for an economically-priced winch that can perform. Our range of Cadet Electric Winches are

available in two different gear ratio sizes with load capacity ratings operating from 900kg up to 1350kg using a 5.5mm cable or rope.







PRODUCT	CAPACITY	GEAR RATIO	CABLE TYPE	HOOK TYPE	POWER	QUANTITY	IMAGE
CEW2000C	2000lb	460:1	9m x 4.8mm Cable	Snap Hook	12V / 280w	2pcs	Page 6
CEW3000C	3000lb	729:1	9m x 5.5mm Cable	Snap Hook	12V / 300w	2pcs	Page 7
CEW3500R	3500lb	729:1	10.5 x 5.5mm Rope	Snap Hook	12V / 350w	2pcs	Page 8
HEW3500C	3500lb	729:1	10.5 x 5.5mm Cable	Snap Hook	12V / 350w	2pcs	Page 9

 To use our winch selector, refer to the inside front cover.

 For a full list of product specifications, refer to the inside back cover.

# Electric Marine Winch

## 2000lb / 280w motor

-  JETSKI
-  TINNY BOAT
-  BOAT UP TO 14FT
-  BOAT UP TO 18FT
-  INCLINE PULL
-  CABLE

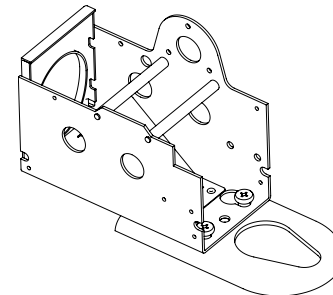


**Power in,  
free spool out**

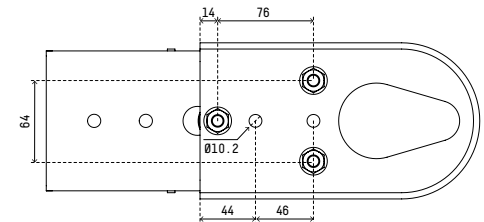
**Suitable for  
jetski/tinny's**

**12 volt  
280w motor**

**460:1  
gear ratio**



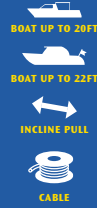
Winch Mounting Bolts sold separately (refer to page 38)



FOR FULL SPECIFICATIONS, SEE INSIDE BACK COVER

# Electric Marine Winch

## 3000lb / 300w motor



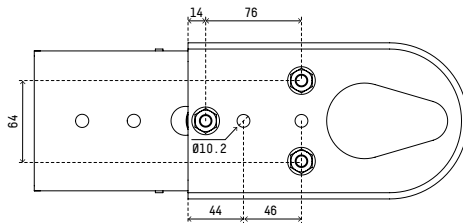
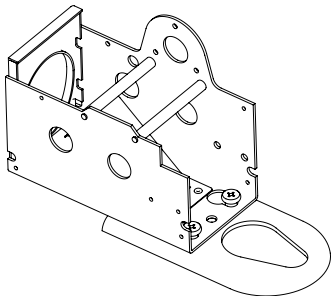
**Power in,  
power out**

**Suitable for  
18-21 ft boats**

**12 volt  
300w motor**

**729:1  
gear ratio**

Winch Mounting Bolts  
sold separately  
(refer to page 38)

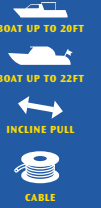


FOR FULL SPECIFICATIONS, SEE INSIDE BACK COVER



# Electric Marine Winch

## 3500lb / 350w motor



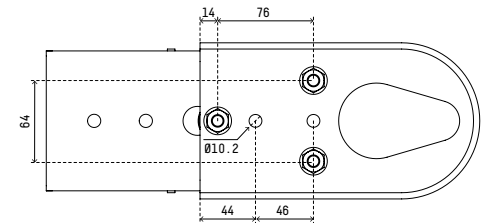
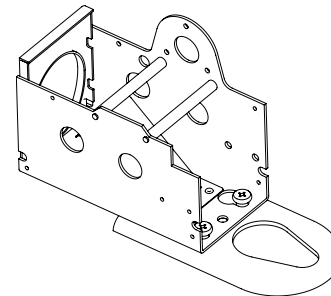
**Power in,  
power out**

**12 volt  
350w motor**

**10.5m x 5.5mm  
Rope**

**Corrosion Resistant  
Housing**

Winch Mounting Bolts  
sold separately  
(refer to page 38)



FOR FULL SPECIFICATIONS, SEE INSIDE BACK COVER



# HAUL-IT

## Electric Marine Winch

### 3500lb / 350w motor



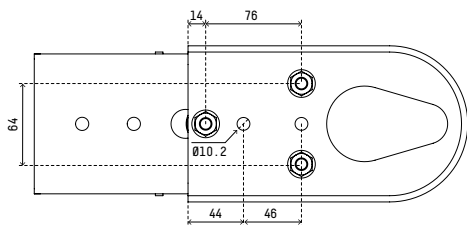
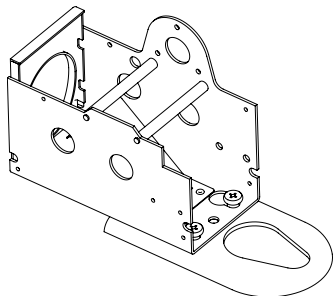
**Power in,  
power out**

**12 volt  
350w motor**

**10.5m x 5.5mm  
Heavy Gauge Cable**

**Corrosion Resistant  
Housing**

Winch Mounting Bolts  
sold separately  
(refer to page 38)



FOR FULL SPECIFICATIONS, SEE INSIDE BACK COVER



# ATLANTIC PRODUCTS

# Tell that to the Marines.

## Marine Winch Series

Our range of single-speed Marine Winches are available in two different models with pulling capacity operating

from 550kg up to 725kg. Each model is available with a cable, webbing strap or Atlantic Rope.

PRODUCT	CAPACITY	GEAR RATIO	CABLE TYPE	HOOK TYPE	QUANTITY	IMAGE
MW201R	550kg (1200lb)	3:1	6m x 4mm Rope	S Hook	4pcs	Page 11
MW202W	550kg (1200lb)	3:1	6m Webbing Strap	S Hook	4pcs	—
MW212C	550kg (1200lb)	3:1	6m x 4mm Cable	S Hook	4pcs	—
MW213NC	550kg (1200lb)	3:1	No Cable	—	4pcs	—
MW203R	725kg (1600lb)	5:1	6m x 5mm Rope	Snap Hook	4pcs	Page 12
MW204W	725kg (1600lb)	5:1	6m Webbing Strap	Snap Hook	4pcs	—
MW214C	725kg (1600lb)	5:1	6m x 4mm Cable	Snap Hook	4pcs	—
MW215NC	725kg (1600lb)	5:1	No Cable	Snap Hook	4pcs	—



# Marine Boat Winch

## 550kg (1200lb)



**3:1 gear ratio**

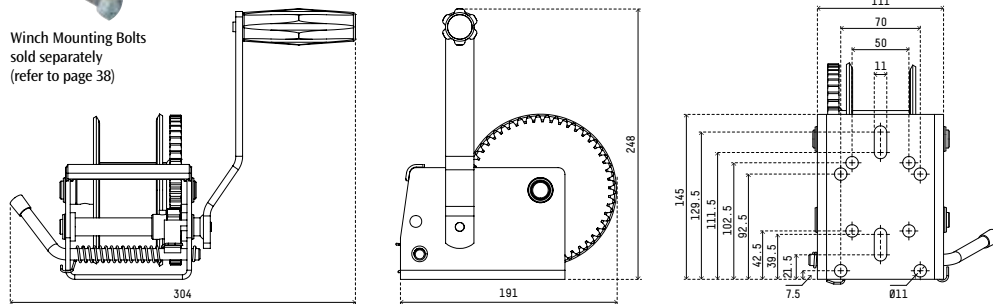
**Machine-cut gears**

**Hardened steel bushes**

**Rust resistant Dacromet finish**

**Available with Atlantic rope, webbing strap or cable**

Winch Mounting Bolts sold separately (refer to page 38)



FOR FULL SPECIFICATIONS, SEE INSIDE BACK COVER



# Marine Boat Winch

## 725kg (1600lb)



**5:1 gear ratio**

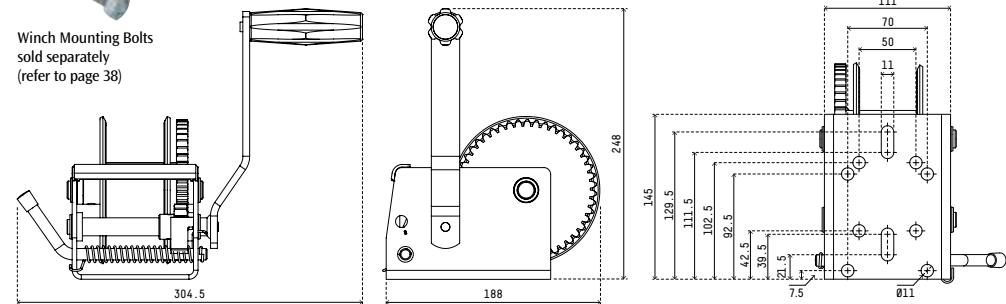
**Machine-cut gears**

**Hardened steel bushes**

**Rust resistant Dacromet finish**

**Available with Atlantic rope, webbing strap or cable**

Winch Mounting Bolts sold separately (refer to page 38)



FOR FULL SPECIFICATIONS, SEE INSIDE BACK COVER



# Tell that to the Marines.

## Marine Winch Series

Our multi-speed range of Marine Winches are available in three different models with pulling capacity operating from 775kg up to 1500kg.

Depending on the application, there's a number of gear ratio speeds with a cable, webbing strap or Atlantic Rope.

PRODUCT	CAPACITY	GEAR RATIO	CABLE TYPE	HOOK TYPE	QUANTITY	IMAGE
MW205R	775kg (1700lb)	5:1/1:1	7.5m x 5mm Rope	Snap Hook	4pcs	Page 14
MW206W	775kg (1700lb)	5:1/1:1	7.5m Webbing Strap	Snap Hook	4pcs	—
MW217C	775kg (1700lb)	5:1/1:1	7.5m x 5mm Cable	Snap Hook	4pcs	—
MW218NC	775kg (1700lb)	5:1/1:1	No Cable	—	4pcs	—
MW207R	1135kg (2500lb)	10:1/5:1/1:1	7.5m x 6mm Rope	Snap Hook	4pcs	Page 15
MW208W	1135kg (2500lb)	10:1/5:1/1:1	7.5m Webbing Strap	Snap Hook	4pcs	—
MW220C	1135kg (2500lb)	10:1/5:1/1:1	7.5m x 6mm Cable	Snap Hook	4pcs	—
MW221NC	1135kg (2500lb)	10:1/5:1/1:1	No Cable	—	4pcs	—
MW209R	1500kg (3300lb)	15:1/5:1/1:1	7.5m x 7mm Rope	Snap Hook	3pcs	Page 16
MW210W	1500kg (3300lb)	15:1/5:1/1:1	7.5m Webbing Strap	Snap Hook	3pcs	—
MW223C	1500kg (3300lb)	15:1/5:1/1:1	7.5m x 7mm Cable	Snap Hook	3pcs	—
MW224NC	1500kg (3300lb)	15:1/5:1/1:1	No Cable	—	3pcs	—
HEXHANDLE	Removable Hex Handle	—	—	—	25pcs	—

Hex Handle

# Marine Boat Winch

## 775kg (1700lb)



**5:1/1:1 gear ratio**

**Machine-cut gears**

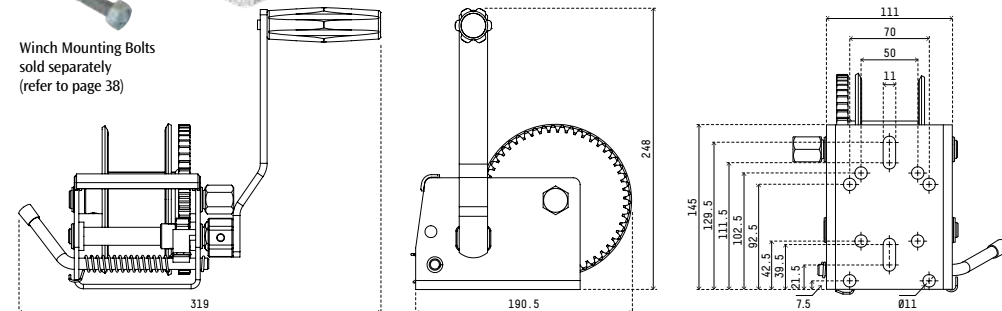
**Hardened steel bushes**

**Rust resistant Dacromet finish**

**Available with Atlantic rope, webbing strap or cable**



Winch Mounting Bolts sold separately (refer to page 38)



FOR FULL SPECIFICATIONS, SEE INSIDE BACK COVER



# Marine Boat Winch

## 1135kg (2500lb)



**10:1/5:1/1:1  
gear ratio**

**Machine-cut  
gears**

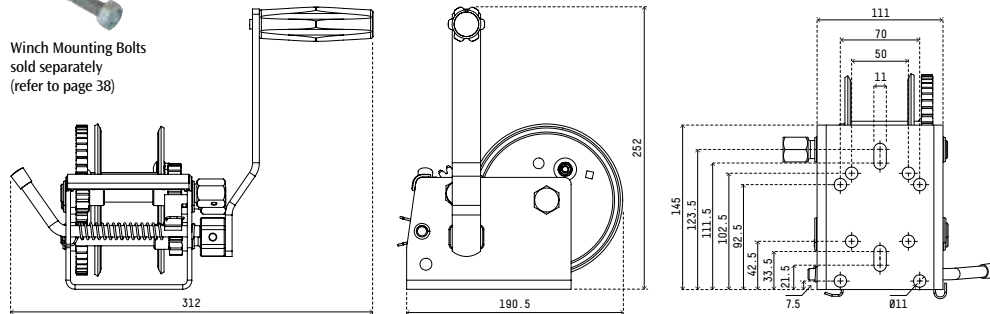
**Hardened steel  
bushes**

**Rust resistant  
Dacromet finish**

**Available with Atlantic rope,  
webbing strap or cable**



Winch Mounting Bolts  
sold separately  
(refer to page 38)



FOR FULL SPECIFICATIONS, SEE INSIDE BACK COVER



# Marine Boat Winch

## 1500kg (3300lb)



**15:1/5:1/1:1  
gear ratio**

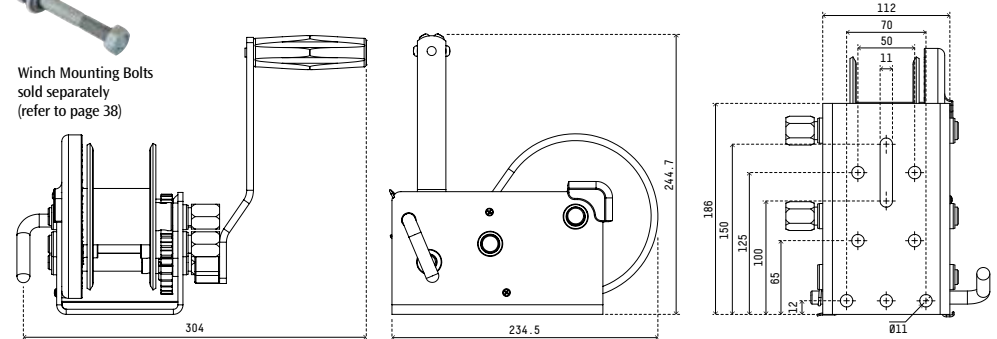
**Hardened steel bushes  
& machine-cut gears**

**Rust resistant  
Dacromet finish**

**Available with Atlantic rope,  
webbing strap or cable**



Winch Mounting Bolts  
sold separately  
(refer to page 38)



FOR FULL SPECIFICATIONS, SEE INSIDE BACK COVER



# Ready for lift off!

## Compact Brake Winch Series

Our Compact Brake Winch range are available in 5:1 (300kg), 10:1 (500kg) and 15:1 (725kg). The self actuating

automatic braking mechanism ensures the suspension and 'jerk-free' movement when lowering a load under pressure.

PRODUCT	LIFTING CAPACITY	GEAR RATIO	CABLE TYPE	HOOK TYPE	QUANTITY	IMAGE
BW230C	300kg (660lb)	5:1	7.5m x 5mm Cable	Snap Hook	4pcs	Page 18
BW230C-FC	300kg (660lb)	5:1	7.5m x 5mm Cable	Snap Hook	4pcs	-
BW230C-FCSS	300kg (660lb)	5:1	7.5m x 5mm Cable	Snap Hook	4pcs	-
BW230R	300kg (660lb)	5:1	7.5m x 5mm Rope	Snap Hook	4pcs	-
BW240NC	775kg (1700lb)	5:1/1:1	No Cable	-	4pcs	-
BW260C	500kg (1100lb)	10:1	7.5m x 6mm Cable	Snap Hook	4pcs	Page 19
BW260C-FC	500kg (1100lb)	10:1	7.5m x 6mm Cable	Snap Hook	4pcs	-
BW260C-FCSS	500kg (1100lb)	10:1	7.5m x 6mm Cable	Snap Hook	4pcs	-
BW260R	500kg (1100lb)	10:1	7.5m x 6mm Rope	Snap Hook	4pcs	-
BW280NC	1135kg (2500lb)	10:1/5:1/1:1	No Cable	-	4pcs	-
BW290C	725kg (1600lb)	15:1	8m x 7mm Cable	Snap Hook	3pcs	Page 20
BW290NC	725kg (1600lb)	15:1	No Cable	-	3pcs	-
BW-HANDLE	Brake Winch Spare Handle	-	-	-	25pcs	-

# Compact Brake Winch

## 300kg (660lb)

↑ LIFTING CAPACITY



ALSO AVAILABLE IN STAINLESS STEEL

**5:1 gear ratio**

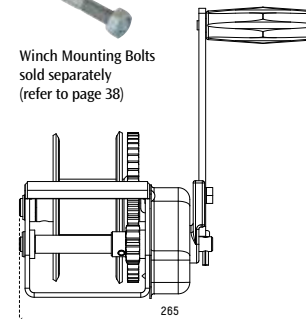
**Machine-cut gears**

**Hardened steel bushes**

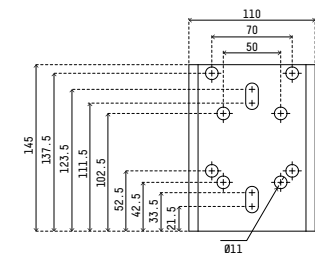
**Rust resistant Dacromet finish**



Winch Mounting Bolts sold separately (refer to page 38)



Optional full-cover winch body



FOR FULL SPECIFICATIONS, SEE INSIDE BACK COVER

# Compact Brake Winch

**500kg (1100lb)**

↑ LIFTING CAPACITY

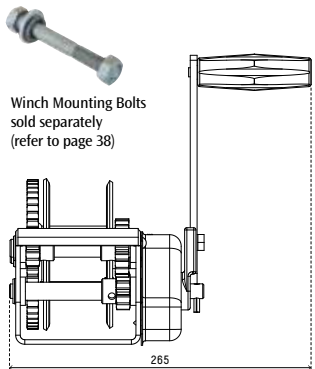


**10:1**  
gear ratio

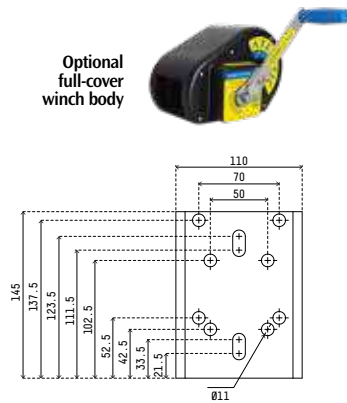
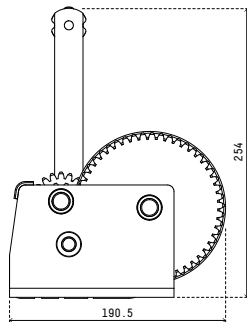
**Machine-cut**  
gears

**Hardened steel**  
bushes

**Rust resistant**  
Dacromet finish



Winch Mounting Bolts  
sold separately  
(refer to page 38)



Optional  
full-cover  
winch body

FOR FULL SPECIFICATIONS, SEE INSIDE BACK COVER



# Compact Brake Winch

**725kg (1600lb)**

↑ LIFTING CAPACITY

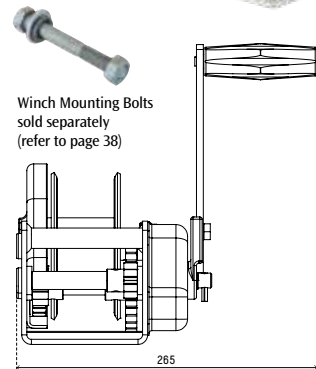


**15:1**  
gear ratio

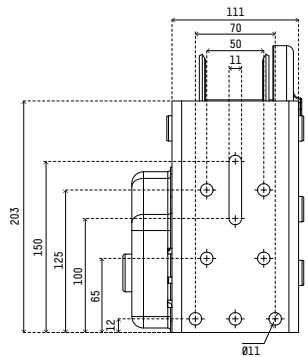
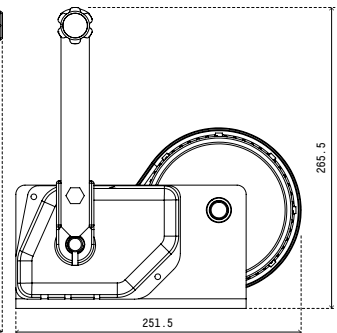
**Machine-cut**  
gears

**Hardened steel**  
bushes

**Rust resistant**  
Dacromet finish



Winch Mounting Bolts  
sold separately  
(refer to page 38)



FOR FULL SPECIFICATIONS, SEE INSIDE BACK COVER




# Larger than life.

## Large Brake Winch Series

Our Large Brake Winch range is available in two gear ratio's with lifting capacity operating from 750kg up to 1800kg and pulling capacity up to 2500kg.

The self actuating automatic braking mechanism ensures the suspension and 'jerk-free' movement when lowering a load under pressure.

PRODUCT	LIFTING CAPACITY	RATIO	CABLE AND HOOK TYPE	QUANTITY	IMAGE
LBW620NC	750kg (1650lb)	8:1	No Cable	1pc	Page 22
LBW650NC	1500kg (3300lb)	15:1	No Cable	1pc	Page 23
LBW650-25X10DS	1500kg (3300lb)	15:1	25m x 10mm Galv Cable with Rated D-Shackle	1pc	Page 24
LBW680NC	1800kg (3960lb)	15:1	No Cable	1pc	Page 25
CTW2500R (LBW650-15X10R)	2500kg (5500lb)	15:1	15m x 10mm Rope with Snap Hook	1pc	Page 26

 To use our winch selector, refer to the inside front cover.

 For a full list of product specifications, refer to the inside back cover.

# Large Brake Winch

## 750kg (1650lb)

↑ LIFTING CAPACITY

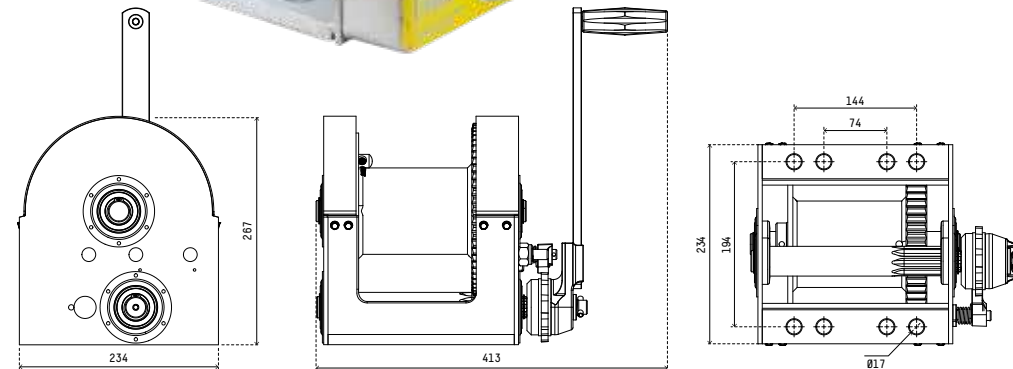


**8:1 gear ratio**

**Machine-cut gears**

**Hardened steel bushes**

**Rust resistant Dacromet finish**



FOR FULL SPECIFICATIONS, SEE INSIDE BACK COVER

# Large Brake Winch

**1500kg (3300lb)**

↑ LIFTING CAPACITY

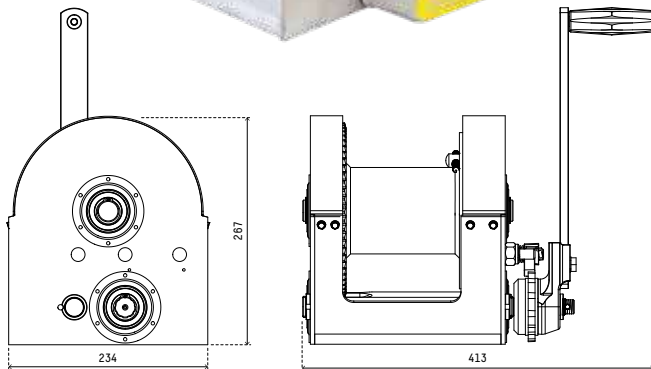


**15:1 gear ratio**

**Machine-cut gears**

**Hardened steel bushes**

**Rust resistant Dacromet finish**



FOR FULL SPECIFICATIONS, SEE INSIDE BACK COVER

# Large Brake Winch

**1500kg (3300lb)**

↑ LIFTING CAPACITY

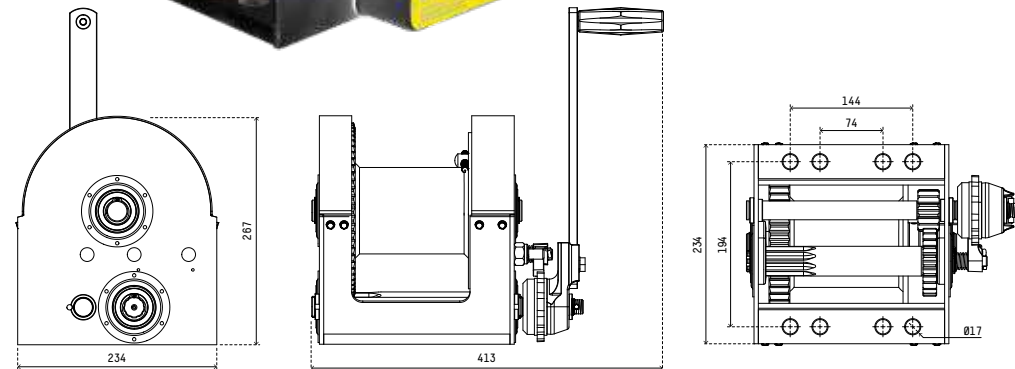


**15:1 gear ratio**

**Machine-cut gears**

**Hardened steel bushes**

**Power-coat finish to winch body**



FOR FULL SPECIFICATIONS, SEE INSIDE BACK COVER

# Extra Large Brake Winch

**1800kg (3960lb)**

↑ LIFTING CAPACITY

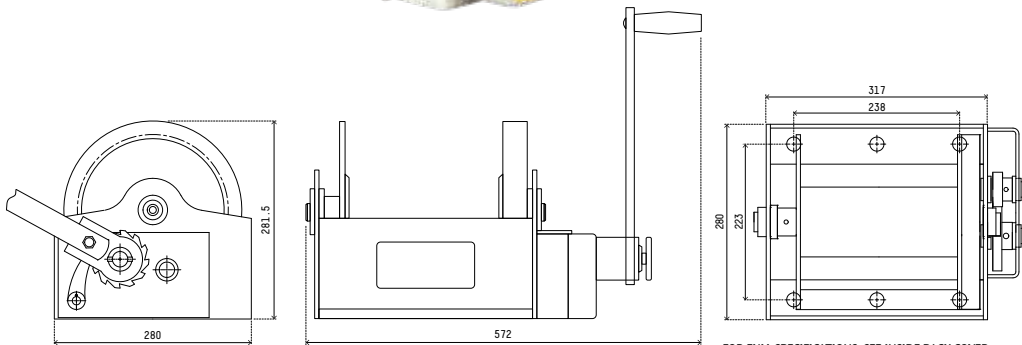


**15:1  
gear ratio**

**Machine-cut  
gears**

**Hardened steel  
bushes**

**Rust resistant  
Dacromet finish**



FOR FULL SPECIFICATIONS, SEE INSIDE BACK COVER

# HD Car Trailer Brake Winch

**2500kg (5500lb)**

↔ PULLING CAPACITY

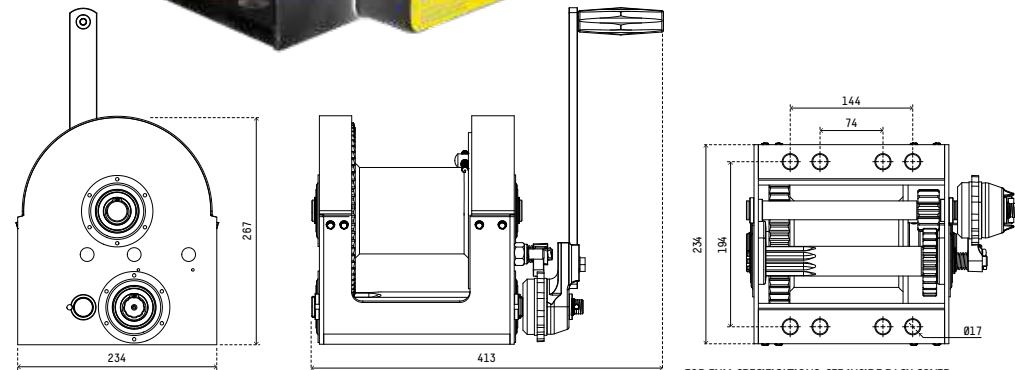


**15:1  
gear ratio**

**Machine-cut  
gears**

**Hardened steel  
bushes**

**Power-coat finish  
to winch body**



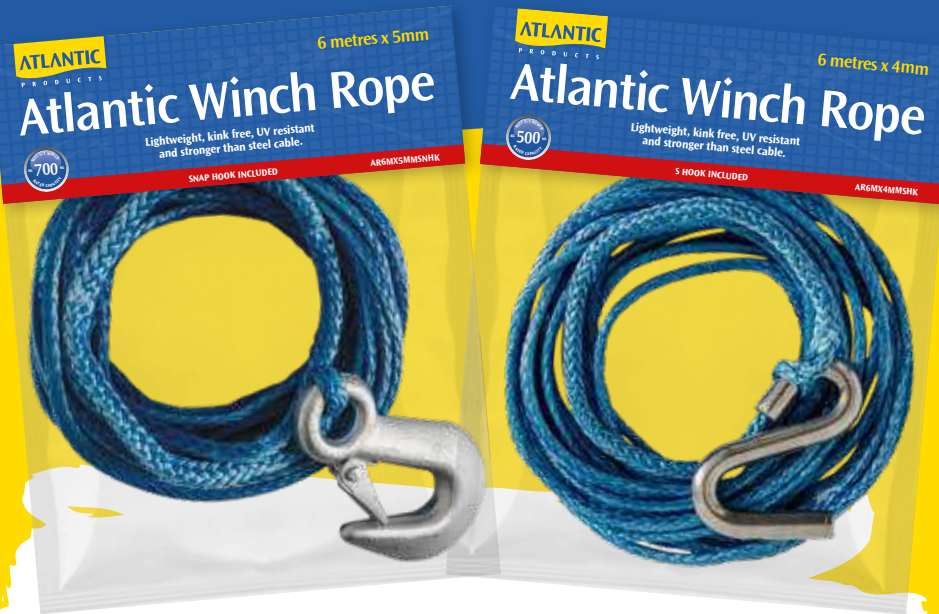
FOR FULL SPECIFICATIONS, SEE INSIDE BACK COVER



# Winch Rope



# Winch Webbing



PRODUCT	LENGTH	HOOK TYPE	BOAT SIZE	CAPACITY	QUANTITY
AR6MX4MMSHK	6m x 4mm	S hook	Boats up to 14ft	500kg	10pcs
AR7MX6MMSHK	7m x 6mm	S hook	Boats up to 18ft	800kg	10pcs
AR6MX5MMSNHK	6m x 5mm	Snap hook	Boats up to 20ft	700kg	10pcs
AR75MX6MMSNHK	7.5m x 6mm	Snap hook	Boats up to 20ft	1000kg	10pcs
AR75MX7MMSNHK	7.5m x 7mm	Snap hook	Boats up to 22ft	1500kg	10pcs
AR10MX10MMSNHK	10m x 10mm	Snap hook	Boats up to 25ft	2500kg	1pc

PRODUCT	LENGTH	HOOK TYPE	BOAT SIZE	CAPACITY	QUANTITY
45MWSHK	4.5m	S hook	Jetski / Tinny Boat	300kg	10pcs
6MWSHK	6.0m	S hook	Boats up to 14ft	500kg	10pcs
45MWSNHK	4.5m	Snap hook	Jetski / Tinny Boat	400kg	10pcs
6MWSNHK	6.0m	Snap hook	Boats up to 18ft	700kg	10pcs
75MWSNHK	7.5m	Snap hook	Boats up to 20ft	1000kg	10pcs

# Winch Cable

-  JETSKI
-  TINNY BOAT
-  BOAT UP TO 14FT
-  BOAT UP TO 18FT
-  BOAT UP TO 20FT
-  BOAT UP TO 22FT



PRODUCT	LENGTH	HOOK TYPE	BOAT SIZE	CAPACITY	QUANTITY
<b>6MX4MMSHK</b>	6m x 4mm	S hook	Boats up to 14ft	500kg	10pcs
<b>6MX4MMSNHK</b>	6m x 4mm	Snap hook	Boats up to 14ft	700kg	10pcs
<b>75MX5MMSNHK</b>	7.5mm x 5mm	Snap hook	Boats up to 18ft	800kg	10pcs
<b>75MX6MMSNHK</b>	7.5mm x 6mm	Snap hook	Boats up to 20ft	1000kg	10pcs
<b>25MX10MMDS</b>	25m x 10mm	D-Shackle	For Brake Winch	2500kg	1pc

# Tow Bar Products



TBCB

TBCC



PRODUCT	DESCRIPTION	QUANTITY
<b>CTB50X62C</b>	3.5T 50mm x 62mm shank Chrome Towball	20pcs
<b>TBCC</b>	50mm Chrome Tow Ball Cover	12pcs
<b>TBCB</b>	50mm Black PVC Tow Ball Cover	12pcs
<b>LGPIN</b>	Tow Bar Locking Pin & R-Clip	50pcs
<b>SHINPRO</b>	Tow Bar Shin Protector	40pcs
<b>TRAILER-LOCK</b>	Trailer Lock	12pcs



# Tie-Down Ratchets



PRODUCT	LENGTH	UNITS	BOAT SIZE	CAPACITY	QUANTITY
ATL1825	1.8m x 25mm	Pair	Jet Ski / Small Boat	200kg	30pcs
ATL4025	4m x 25mm	Single	Jet Ski / Small Boat	200kg	30pcs
ATL1550	1.5m x 50mm	Pair	Jet Ski / Small Boat	400kg	14pcs
ATL5550	5.5m x 50mm	Single	Over boat straps	400kg	14pcs



# Stainless Steel Tie-Down Ratchet



PRODUCT	LENGTH	UNITS	BOAT SIZE	CAPACITY	QUANTITY
ATL1825SS	1.8m x 25mm	Pair	Jet Ski / Small Boat	200kg	30pcs
ATL4025SS	4m x 25mm	Single	Jet Ski / Small Boat	200kg	30pcs
ATL1550SS	1.5m x 50mm	Pair	Jet Ski / Small Boat	400kg	14pcs
ATL5550SS	5.5m x 50mm	Single	Over boat straps	400kg	14pcs

## Wobble Rollers

PRODUCT	DESCRIPTION	QUANTITY
WR3BLUE	3" Blue Wobble Roller (Black centre)	24pcs
WR3GREY	3" Grey Wobble Roller (Black centre)	24pcs
WR3BLACK	3" Black Wobble Roller (Black centre)	24pcs



## Rubber Keel Rollers

PRODUCT	DESCRIPTION	QUANTITY
BRKR45	4.5" Black Rubber Keel Roller	40pcs
BRKSR60	6" Black Rubber Sydney Keel Roller	20pcs
BRKSR80	8" Black Rubber Sydney Keel Roller	20pcs



## Hard Keel Rollers

PRODUCT	DESCRIPTION	QUANTITY
BHKR45	4.5" Blue Hard Keel Roller	40pcs
BHSKR60	6" Blue Hard Sydney Keel Roller	14pcs
BHSKR80	8" Blue Hard Sydney Keel Roller	20pcs



## Bow Rollers

PRODUCT	DESCRIPTION	QUANTITY
BOWR3	3" Bow Roller with End Caps and Bolt	12pcs
BOWR4	4" Bow Roller with End Caps and Bolt	20pcs



## Soft Polyurethane Rollers

PRODUCT	DESCRIPTION	QUANTITY
RSPKR45	4.5" Red Soft Poly Cotton Reel Keel Roller with spindle insert	40pcs
GSPKR45	4.5" Grey Soft Poly Cotton Reel Keel Roller with spindle insert	40pcs
RSPKR60	6" Red Soft Poly Cotton Reel Keel Roller with spindle insert	14pcs
GSPKR60	6" Grey Soft Poly Cotton Reel Keel Roller with spindle insert	14pcs
RSPKR80	8" Red Soft Poly Cotton Reel Keel Roller with spindle insert	20pcs
GSPKR80	8" Grey Soft Poly Cotton Reel Keel Roller with spindle insert	20pcs
RSPSKR60	6" Red Soft Poly Sydney Keel Roller with spindle insert	14pcs
RSPSKR80	8" Red Soft Poly Sydney Keel Roller with spindle insert	20pcs



## Centering Roller

PRODUCT	DESCRIPTION	QUANTITY
BHCR60	6" Centering Roller	14pcs
BHCR80	8" Centering Roller	20pcs



## Trailer Blocks

PRODUCT	DESCRIPTION	QUANTITY
BHTTB250	250mm Trailer Block	25pcs
BHTTB350	350mm Trailer Block	25pcs



## Teflon Skid Strips

PRODUCT	DESCRIPTION	QUANTITY
<b>BTSS36CM</b>	360mm Teflon Skid Strip	100pcs
<b>BTSS15M</b>	1.5m Teflon Skid Strip	50pcs
<b>BTSS20M</b>	2m Teflon Skid Strip	50pcs



## Roller Spindles

PRODUCT	DESCRIPTION	PACK/BOX QTY
<b>SRS45</b>	M16 x 145mm - 4.5" Standard Roller Spindle	50pcs
<b>SRS60</b>	M16 x 203mm - 6" Standard Roller Spindle	50pcs
<b>SRS80</b>	M16 x 240mm - 8" Standard Roller Spindle	50pcs
<b>SRS80-20</b>	M20 x 240mm - 8" HD Standard Roller Spindle	30pcs
<b>RS45</b>	M16 x 145mm - 4.5" Forged Roller Spindle includes washer and split pin	60pcs
<b>RS60</b>	M16 x 203mm - 6" Forged Roller Spindle includes washer and split pin	50pcs
<b>RS80</b>	M16 x 240mm - 8" Forged Roller Spindle includes washer and split pin	50pcs



## Glider Centering Kit

PRODUCT	DESCRIPTION	PACK/BOX QTY
<b>ATL3108</b>	Glider centering kit Includes 50x50 angle stem adjuster brackets	1pc



## Single Stem Keel Roller Brackets

PRODUCT	DESCRIPTION	QUANTITY
<b>SSKRB45</b>	4.5' Single Stem Roller Bracket	10pcs
<b>SSKRB60</b>	6" Single Stem Roller Bracket	10pcs
<b>SSKRB80</b>	8" Single Stem Roller Bracket	10pcs



<b>RW35MM-10</b>	35mm Washer (10/pk)	100pks (1000pcs/box)
<b>RSSP4X30</b>	Split Pin Stainless Steel 4 x 30mm (10/pk)	250pks (2500pcs/box)



## Double Stem Keel Roller Brackets

PRODUCT	DESCRIPTION	QUANTITY
<b>DSKRB60</b>	6" Double Stem Quintrex Roller Bracket	10pcs
<b>DSKRB80</b>	8" Double Stem Quintrex Roller Bracket	10pcs



<b>RW35MM-10</b>	35mm Washer (10/pk)	100pks (1000pcs/box)
<b>RSSP4X30</b>	Split Pin Stainless Steel 4 x 30mm (10/pk)	250pks (2500pcs/box)



## Keel Roller Brackets

PRODUCT	DESCRIPTION	QUANTITY
<b>KRBNS45</b>	4.5" No Stem Roller Bracket	25pcs
<b>KRBNS60</b>	6" No Stem Roller Bracket	25pcs
<b>KRBNS80</b>	8" No Stem Roller Bracket	20pcs



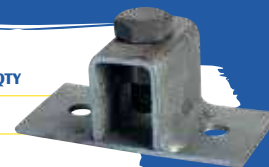
## Wood Yoke Brackets



PRODUCT	DESCRIPTION	PACK/BOX QTY
WY8-45MM	8" Wood Yoke 45mm with bolt and nut	18pcs
WY8-54MM	8" Wood Yoke 54mm with bolt and nut	15pcs
AWY-54MM	8" Angled Wood Yoke 54mm with bolt and nut	20pcs
M10X75WYB	Wood Yoke bolt with nyloc nut M10 x 75mm (5/pk)	50pks (250pcs/box)

## Bolt-on Bracket

PRODUCT	DESCRIPTION	PACK/BOX QTY
BOB	Bolt on Bracket for Single Stem upright	25pcs



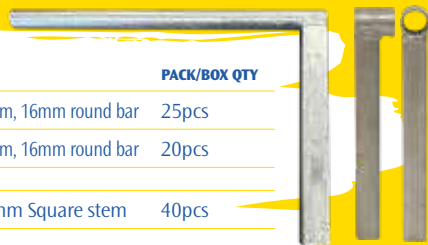
## Washers

PRODUCT	DESCRIPTION	PACK/BOX QTY
RW35MM-10	35mm Washer For Keel Roller Spindle (10/pk)	100pks (1000pcs/box)
RW38MM-10	Round washer for wobble roller 38mm (10/pk)	100pks (1000pcs/box)



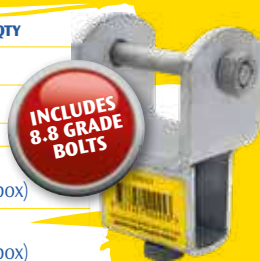
## Eye Post Brackets

PRODUCT	DESCRIPTION	PACK/BOX QTY
EPAB175X165	Eye Post Bracket 175 x 165, 20mm Square stem, 16mm round bar	25pcs
EPAB270X165	Eye Post Bracket 270 x 165, 20mm Square stem, 16mm round bar	20pcs
EPB18X165	Eye Post Bracket 18mm x 165mm, 20mm Square stem	40pcs



## Adjustable Stem Brackets

PRODUCT	DESCRIPTION	PACK/BOX QTY
ASB50X25	Adjustable stem Bracket 50x25 with Bolt and Nut	25pcs
ASB50X50	Adjustable stem Bracket 50x50 with Bolt and Nut	20pcs
M10X75CMB	Adjustable stem cross member M10 x 75mm bolt, washer & nut (5/pk)	50pks (250pcs/box)
M12X35DHB	Adjustable stem dome head bolt and nut M12 x 35mm (5/pk)	50pks (250pcs/box)



## Brackets & Roller Fasteners – 8.8 Grade

PRODUCT	DESCRIPTION	PACK/BOX QTY
M10X75WYB	Wood Yoke Bolt M10 x 75mm 8.8 Grade with Nyloc Nut (5/pk)	50pks (250pcs/box)
WMB	Winch Mounting Bolt M10 x 75mm 8.8 Grade inc. washers & nut (3/pk)	80pks (240pcs/box)
M10X75CMB	Adjustable cross member bolt M10 x 75mm 8.8 Grade inc. washer & nut (5/pk)	50pks (250pcs/box)
M12X35DHB	Adjustable stem dome head bolt M12 x 35mm 8.8 Grade inc. nut (5/pk)	50pks (250pcs/box)
RSSP4X30	Split Pin Stainless Steel 4 x 30mm (10/pk)	250pks (2500pcs/box)

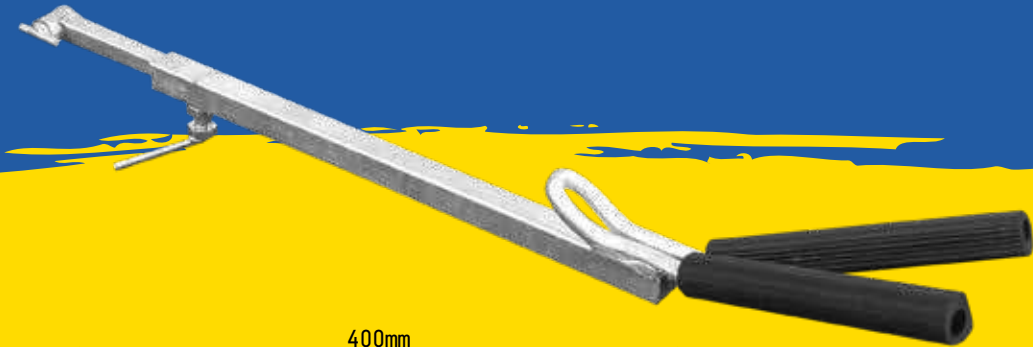


## Safety Chains - Black Finish

PRODUCT	DESCRIPTION	LINKS / LENGTH	FINISH	RATING	QUANTITY
SC8MMBLK-11	8mm Chain	11 links / 465mm	Black	1600kg	50pcs
SC8MMBLK-13	8mm Chain	13 links / 545mm	Black	1600kg	50pcs
SC8MMBLK-23	8mm Chain	23 links / 970mm	Black	1600kg	25pcs
SC10MMBLK-12	10mm Chain	12 links / 635mm	Black	2500kg	25pcs
SC13MMBLK-12	13mm Chain	12 links / 665mm	Black	3500kg	15pcs

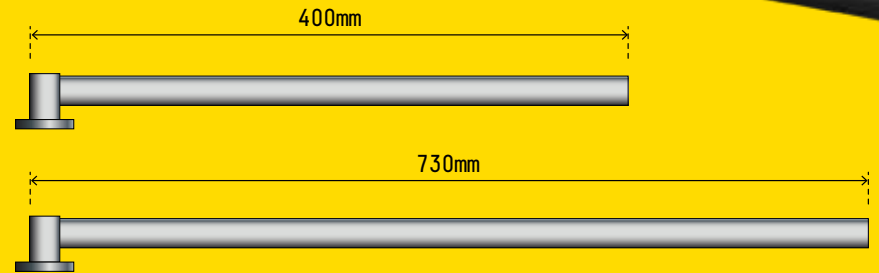


## Outboard Motor Support Bracket



## Safety Chains - Hot Dip Galv.

PRODUCT	DESCRIPTION	LINKS / LENGTH	FINISH	RATING	QUANTITY
SC8MMHDG-11	8mm Chain	11 links / 465mm	Galvanised	1600kg	50pcs
SC8MMHDG-13	8mm Chain	13 links / 545mm	Galvanised	1600kg	50pcs
SC8MMHDG-23	8mm Chain	23 links / 970mm	Galvanised	1600kg	25pcs
SC10MMHDG-12	10mm Chain	12 links / 635mm	Galvanised	2500kg	25pcs
SC13MMHDG-12	13mm Chain	12 links / 665mm	Galvanised	3500kg	15pcs



## Safety Chain Links

PRODUCT	DESCRIPTION	LINKS / LENGTH	FINISH	RATING	QUANTITY
CL8MM	8mm Chain Link	1 link / 50mm	Black	-	500pcs
CL10MM	10mm Chain Link	1 link / 70mm	Black	-	250pcs



PRODUCT	DESCRIPTION	QUANTITY
MSB400MM	400mm Motor Support Bracket	4pcs
MSB730MM	730mm Motor Support Bracket	4pcs

# Wheel Bearings



PRODUCT	DESCRIPTION	QUANTITY
<b>ATL1690S</b>	Holden LM Bearing set & Grease Seal - 39mm round & 40mm square	20pcs
<b>ATL1688S</b>	Holden LM Bearing set & <b>2-part</b> Grease Seal - 39mm round & 40mm square	20pcs
<b>ATL1707S</b>	Ford SL Bearing set & Grease Seal - 45mm square	20pcs
<b>ATL1712</b>	Ford SL Bearing set & <b>2-part</b> Grease Seal - 45mm square	20pcs

# D & Bow Shackles



Bow Shackle



PRODUCT	DESCRIPTION	PACK TYPE	CAPACITY	QUANTITY
<b>DS8MM-750</b>	8mm D-Shackle	Retail Pack	750kg	200pcs
<b>DS10MM-1000</b>	10mm D-Shackle	Retail Pack	1000kg	100pcs
<b>DS11MM-1500</b>	11mm D-Shackle	Retail Pack	1500kg	100pcs
<b>DS13MM-2000</b>	13mm D-Shackle	Retail Pack	2000kg	50pcs

PRODUCT	DESCRIPTION	PACK TYPE	CAPACITY	QUANTITY
<b>DS8MM-750B</b>	8mm D-Shackle	Bulk Pack	750kg	300pcs
<b>DS10MM-1000B</b>	10mm D-Shackle	Bulk Pack	1000kg	200pcs
<b>DS11MM-1500B</b>	11mm D-Shackle	Bulk Pack	1500kg	150pcs
<b>DS13MM-2000B</b>	13mm D-Shackle	Bulk Pack	2000kg	100pcs

PRODUCT	DESCRIPTION	PACK TYPE	CAPACITY	QUANTITY
<b>BSHACKLE1000B</b>	10mm Bow Shackle	Bulk Pack	1000kg	200pcs



# Trailer Light Boards



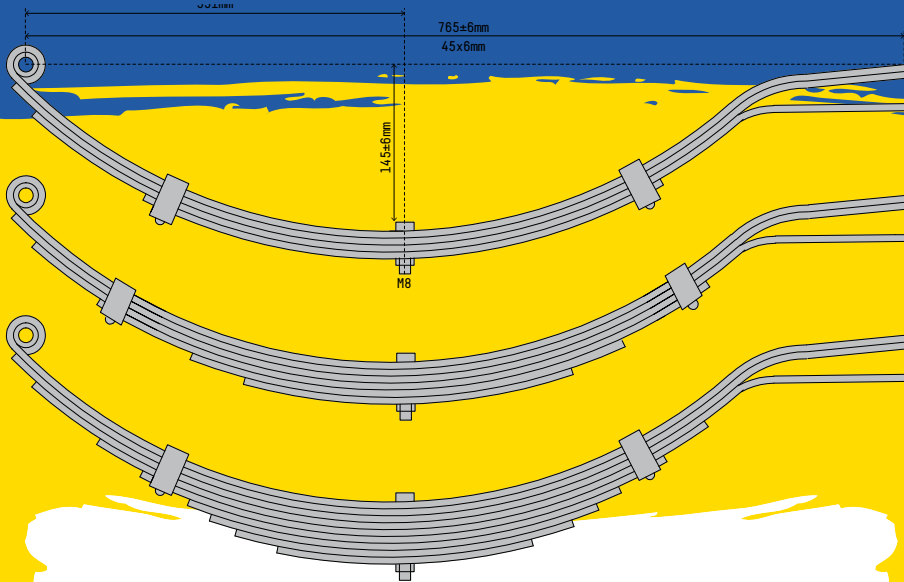
PRODUCT	DESCRIPTION	QUANTITY
<b>LB-BL12MFP</b>	1.2m Bulb Lamp - Flat Plug with large/small round plugs (TB001)	6pcs
<b>LB-LED15MFP</b>	1.5m LED Lamps - Flat Plug with large/small round plugs (TBL021)	6pcs

# Brake Cable Assembly



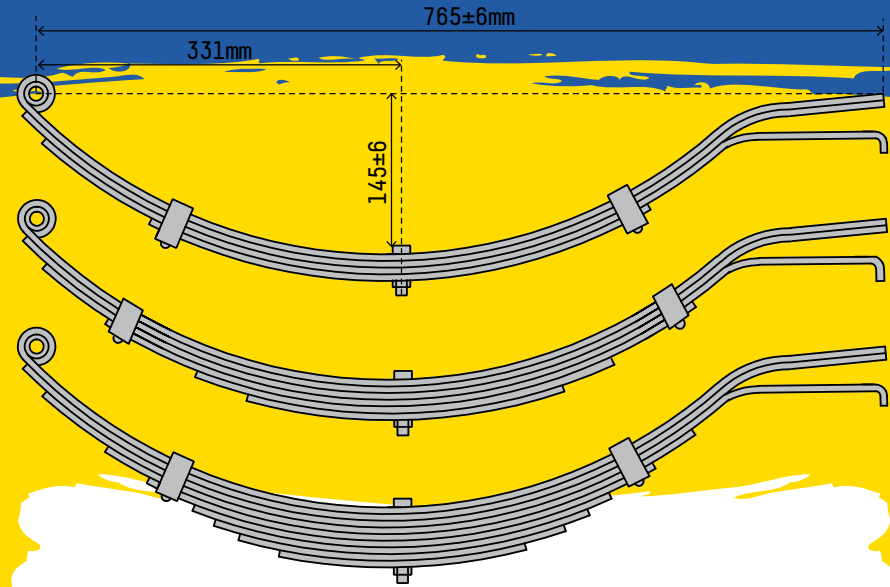
PRODUCT	DESCRIPTION	QUANTITY
<b>ATLBCA8M</b>	8m of PVC-coated hot dip galvanised wire, cable adjuster & clamps	20pcs
<b>BCAB</b>	Brake Cable Adjuster Bracket (Includes 4 x Brake Cable Clamps)	40pcs
<b>500M-7X7BC</b>	500 metre roll 7x7 6mm (4mm HDG + 2mm PVC) brake cable	1pc

# 45x6 765mm Slipper Spring



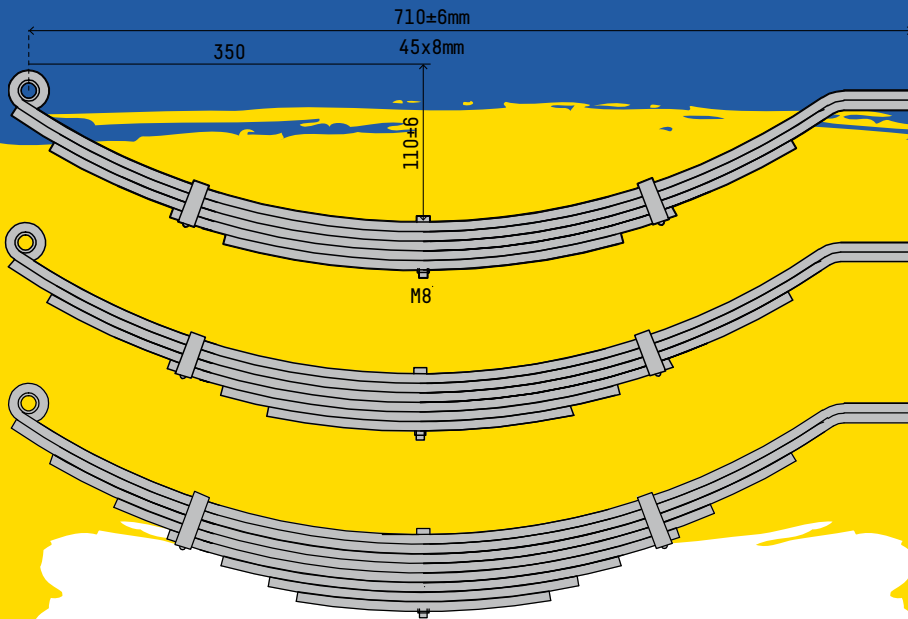
PRODUCT	DESCRIPTION	LEAF TYPE	DUAL RATING	QUANTITY
<b>3L-SS765-45X6</b>	Slipper Spring - 765mm - 45mm x 6mm	3L	600kg	224/pal
<b>4L-SS765-45X6</b>	Slipper Spring - 765mm - 45mm x 6mm	4L	900kg	300/pal
<b>5L-SS765-45X6</b>	Slipper Spring - 765mm - 45mm x 6mm	5L	1000kg	300/pal
<b>6L-SS765-45X6</b>	Slipper Spring - 765mm - 45mm x 6mm	6L	1200kg	250/pal
<b>8L-SS765-45X6</b>	Slipper Spring - 765mm - 45mm x 6mm	8L	1400kg	200/pal
<b>9L-SS765-45X6</b>	Slipper Spring - 765mm - 45mm x 6mm	9L	1760kg	200/pal

# 45x6 765mm Slipper Spring Hook Tail



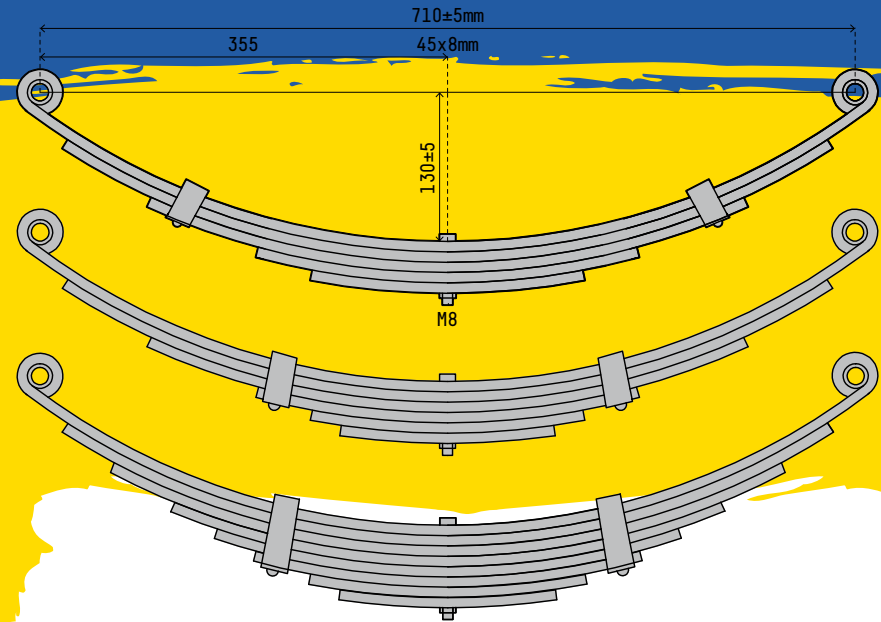
PRODUCT	DESCRIPTION	LEAF TYPE	DUAL RATING	QUANTITY
<b>3L-SS765-45X6HT</b>	Slipper Spring - 765mm - 45mm x 6mm Hook Tail	3L	600kg	400/pal
<b>4L-SS765-45X6HT</b>	Slipper Spring - 765mm - 45mm x 6mm Hook Tail	4L	900kg	300/pal
<b>5L-SS765-45X6HT</b>	Slipper Spring - 765mm - 45mm x 6mm Hook Tail	5L	1000kg	300/pal
<b>6L-SS765-45X6HT</b>	Slipper Spring - 765mm - 45mm x 6mm Hook Tail	6L	1200kg	250/pal
<b>7L-SS765-45X6HT</b>	Slipper Spring - 765mm - 45mm x 6mm Hook Tail	7L	1400kg	200/pal
<b>9L-SS765-45X6HT</b>	Slipper Spring - 765mm - 45mm x 6mm Hook Tail	9L	1760kg	200/pal

# 45x8 710mm Slipper Spring



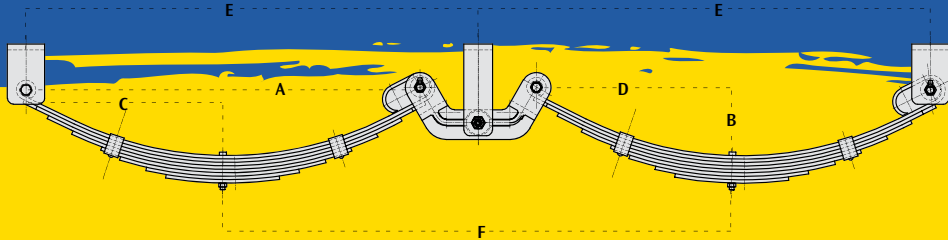
PRODUCT	DESCRIPTION	LEAF TYPE	DUAL RATING	QUANTITY
<b>3L-SS710-45X8</b>	Slipper Spring - 710mm - 45mm x 8mm	3L	1080kg	350/pal
<b>4L-SS710-45X8</b>	Slipper Spring - 710mm - 45mm x 8mm	4L	1440kg	300/pal
<b>5L-SS710-45X8</b>	Slipper Spring - 710mm - 45mm x 8mm	5L	1800kg	250/pal
<b>6L-SS710-45X8</b>	Slipper Spring - 710mm - 45mm x 8mm	6L	2180kg	250/pal
<b>8L-SS710-45X8</b>	Slipper Spring - 710mm - 45mm x 8mm	8L	2900kg	200/pal

# 45x8 710mm Eye to Eye Spring



PRODUCT	DESCRIPTION	LEAF TYPE	DUAL RATING	QUANTITY
<b>3L-EZE710-45X8</b>	Eye to Eye Spring - 710mm - 45mm x 8mm	3L	1060kg	350/pal
<b>4L-EZE710-45X8</b>	Eye to Eye Spring - 710mm - 45mm x 8mm	4L	1400kg	300/pal
<b>5L-EZE710-45X8</b>	Eye to Eye Spring - 710mm - 45mm x 8mm	5L	1760kg	250/pal
<b>6L-EZE710-45X8</b>	Eye to Eye Spring - 710mm - 45mm x 8mm	6L	2100kg	250/pal
<b>8L-EZE710-45X8</b>	Eye to Eye Spring - 710mm - 45mm x 8mm	8L	2800kg	200/pal

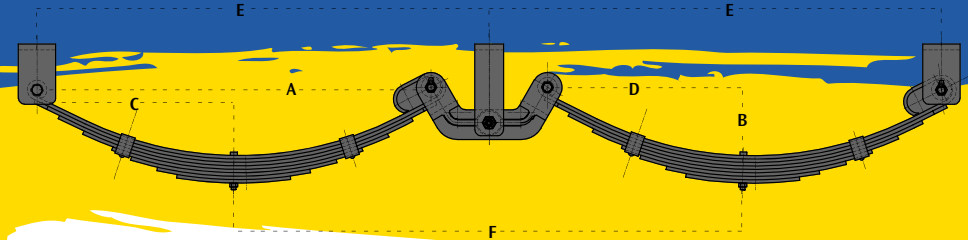
# Rocker Roller Springs - Dacromet



PRODUCT	DESCRIPTION	A	B	C	D	E	F	CAPACITY*	QUANTITY
<b>ATL576460D</b>	LH 60mm x 6 leaf suit 14" wheels	687	117	396	291	787	785	1105-1250kg	25/pal
<b>ATL576461D</b>	RH 60mm x 6 leaf suit 14" wheels	687	117	396	291	787	785	1105-1250kg	25/pal
<b>ATL576470D</b>	LH 60mm x 7 leaf suit 14" wheels	687	117	396	291	787	785	1300-1500kg	25/pal
<b>ATL576471D</b>	RH 60mm x 7 leaf suit 14" wheels	687	117	396	291	787	785	1300-1500kg	25/pal
<b>ATL576670D</b>	LH 60mm x 7 leaf suit 16" wheels	687	117	343	343	787	888	1625-2100kg	25/pal
<b>ATL576671D</b>	RH 60mm x 7 leaf suit 16" wheels	687	117	343	343	787	888	1625-2100kg	25/pal
<b>ATL576680D</b>	LH 60mm x 8 leaf suit 16" wheels	687	117	343	343	787	888	1900-2245kg	25/pal
<b>ATL576681D</b>	RH 60mm x 8 leaf suit 16" wheels	687	117	343	343	787	888	1900-2245kg	25/pal

\* Capacity for 2 springs

# Rocker Roller Springs - Black

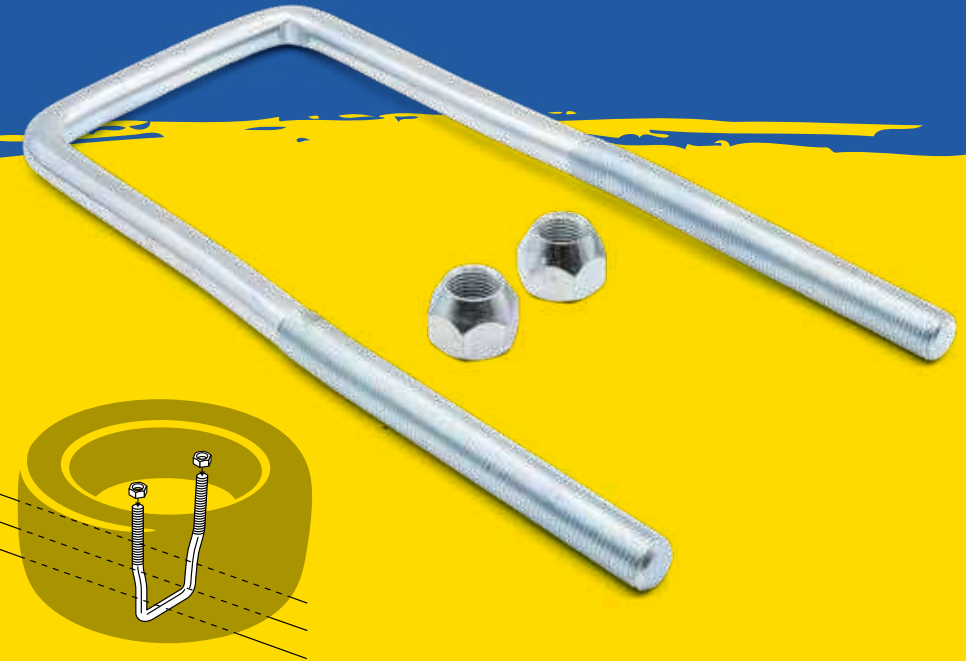
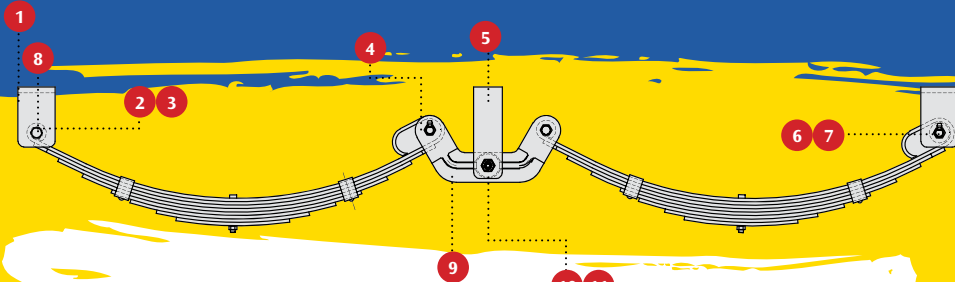


PRODUCT	DESCRIPTION	A	B	C	D	E	F	CAPACITY*	QUANTITY
<b>ATL576450</b>	LH 60mm x 5 leaf suit 14" wheels	687	117	396	291	787	785	950-1100kg	25/pal
<b>ATL576451</b>	RH 60mm x 5 leaf suit 14" wheels	687	117	396	291	787	785	950-1100kg	25/pal
<b>ATL576460</b>	LH 60mm x 6 leaf suit 14" wheels	687	117	396	291	787	785	1105-1250kg	25/pal
<b>ATL576461</b>	RH 60mm x 6 leaf suit 14" wheels	687	117	396	291	787	785	1105-1250kg	25/pal
<b>ATL576470</b>	LH 60mm x 7 leaf suit 14" wheels	687	117	396	291	787	785	1300-1500kg	25/pal
<b>ATL576471</b>	RH 60mm x 7 leaf suit 14" wheels	687	117	396	291	787	785	1300-1500kg	25/pal
<b>ATL576650</b>	LH 60mm x 5 leaf suit 16" wheels	687	117	343	343	787	888	1300-1450kg	25/pal
<b>ATL576651</b>	RH 60mm x 5 leaf suit 16" wheels	687	117	343	343	787	888	1300-1450kg	25/pal
<b>ATL576660</b>	LH 60mm x 6 leaf suit 16" wheels	687	117	343	343	787	888	1450-1600kg	25/pal
<b>ATL576661</b>	RH 60mm x 6 leaf suit 16" wheels	687	117	343	343	787	888	1450-1600kg	25/pal
<b>ATL576670</b>	LH 60mm x 7 leaf suit 16" wheels	687	117	343	343	787	888	1625-2100kg	25/pal
<b>ATL576671</b>	RH 60mm x 7 leaf suit 16" wheels	687	117	343	343	787	888	1625-2100kg	25/pal
<b>ATL576680</b>	LH 60mm x 8 leaf suit 16" wheels	687	117	343	343	787	888	1900-2245kg	25/pal
<b>ATL576681</b>	RH 60mm x 8 leaf suit 16" wheels	687	117	343	343	787	888	1900-2245kg	25/pal

\* Capacity for 2 springs

# Rocker Roller Springs - Accessories

# Spare Wheel Carrier U-Bolt

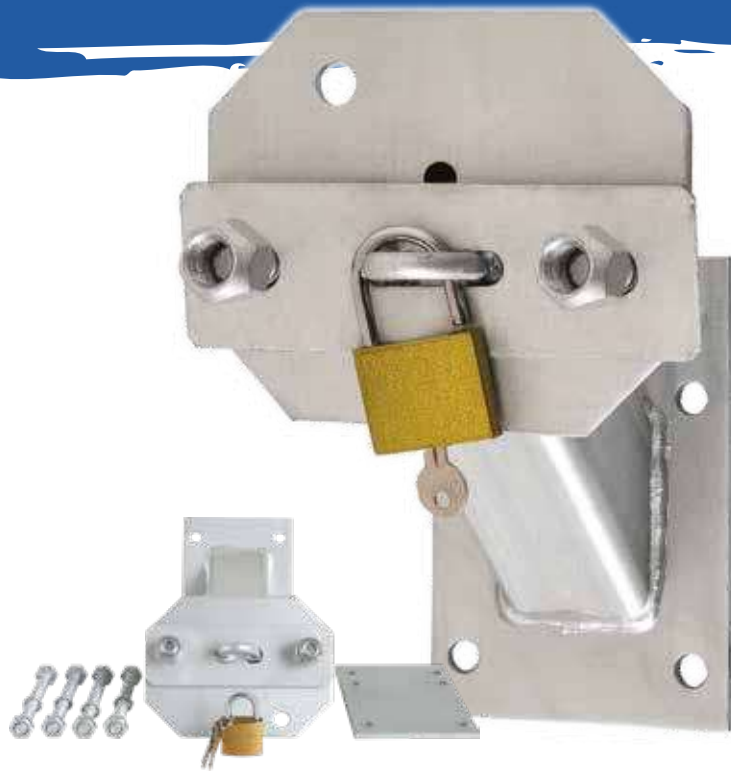


- |  |   |   |  |
|--|---|---|--|
| <b>1</b><br><br>ATL576302<br>Front / rear hanger 60mm          | <b>2</b><br><br>ATL590707<br>Shackle pin 16mm                         | <b>3</b><br><br>ATL590708<br>Shackle pin nyloc nut 16mm                           | <b>4</b><br><br>ATL576301<br>Steel roller bush                 |
| <b>4</b><br><br>ATL576301ZN<br>Steel roller bush zinc plated   | <b>5</b><br><br>ATL576305<br>Centre rocker hanger                     | <b>6</b><br><br>ATL576304<br>Shackle pin greasable 16mm                           | <b>7</b><br><br>ATL590708<br>Shackle pin nyloc nut 16mm        |
| <b>8</b><br><br>ATL590003<br>Spring nylon bush 16mm            | <b>9</b><br><br>ATL576303<br>Centre rocker arm                        | <b>9</b><br><br>ATL576303D<br>Centre rocker arm - Dacromet                        | <b>10</b><br><br>ATL576306<br>Centre rocker pin greasable 18mm |
| <b>11</b><br><br>ATL590712<br>Centre rocker pin nyloc nut 18mm | <b>6</b><br><br>ATL590632ZN<br>Shackle pin greasable 16mm zinc plated | <b>6</b><br><br>ATL590632<br>Shackle pin 'Outback' M16 x 100mm with grease nipple | <b>2</b><br><br>ATL590707ZN<br>Shackle pin 16mm zinc plated    |

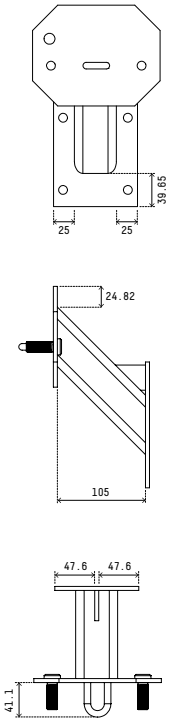
PRODUCT	DESCRIPTION	QUANTITY
SWCUB	Spare Wheel Carrier U-bolt	20pcs

# Spare Wheel Mount Small Galvanised Trailer

13-14" MULTI-STUD

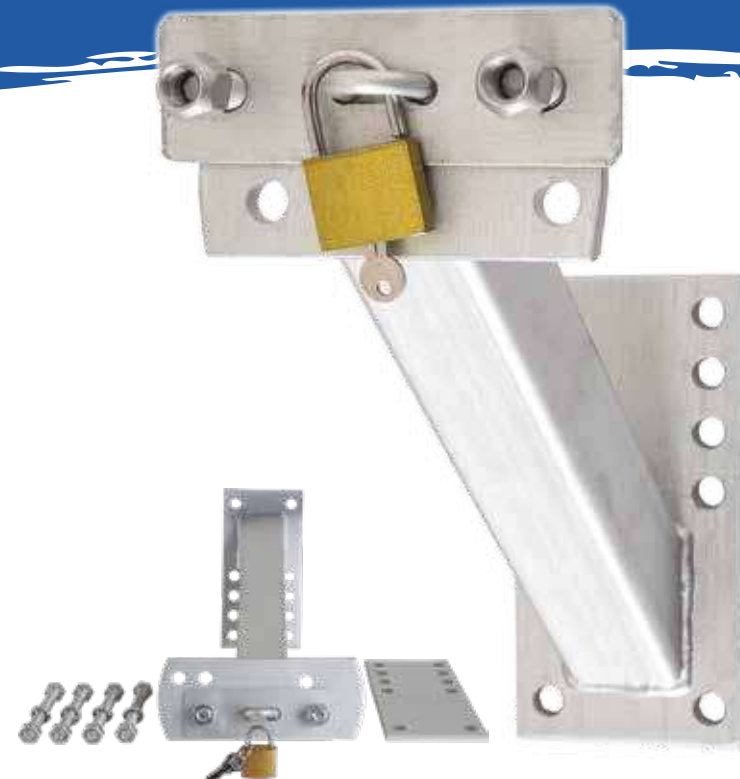


PRODUCT	DESCRIPTION	QUANTITY
SWMSM	Suitable for Galvanised Trailers Multi-Stud Pattern (Ford & HT Holden) 13" & 14"	8pcs

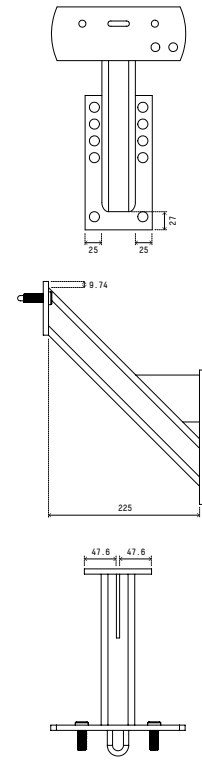


# Spare Wheel Mount Large Galvanised Trailer

13-15" MULTI-STUD



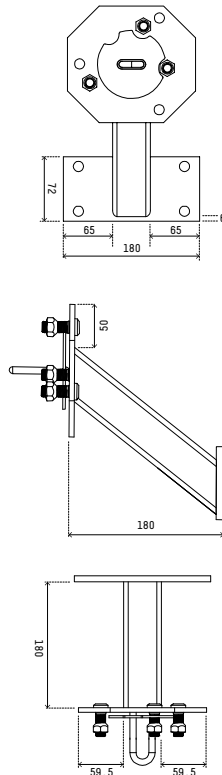
PRODUCT	DESCRIPTION	QUANTITY
SWMLG	Suitable for Galvanised Trailers Multi-Stud Pattern (Ford, HT Holden & Landcruiser) 13", 14" & 15"	4pcs



# Spare Wheel Mount Small

## Aluminium Trailer

13-14" MULTI-STUD

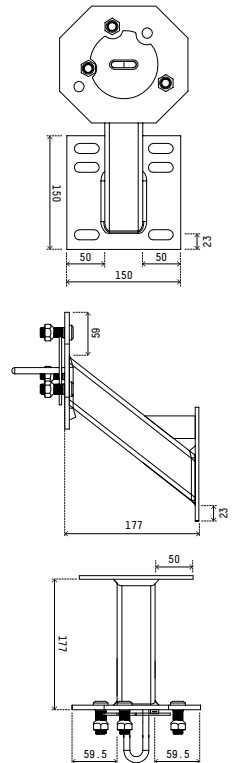


PRODUCT	DESCRIPTION	QUANTITY
AWSWMSM	Suitable for Jet-Ski Aluminium I-Beam Trailers Multi-Stud Pattern (Ford, HT Holden & Landcruiser) 13" & 14"	4pcs

# Spare Wheel Mount Large

## Aluminium Trailer

13-15" MULTI-STUD



PRODUCT	DESCRIPTION	QUANTITY
AWSWMLG	Suitable for Aluminium I-Beam Trailers, Multi-Stud Pattern (Ford, HT Holden & Landcruiser) 13", 14" & 15"	4pcs

# Galvanised Wheels & Tyres



**Ideal with Spare  
Wheel Mount**



Trailer Wheel Studs  
(5-pk) sold separately



Alloy Wheel Lug-Nuts  
(5-pk) sold separately

## GALVANISED

PRODUCT	STUD PATTERN	WHEEL SIZE	TYRE SIZE / RATING	QUANTITY
<b>10X5TWPMS</b>	5 x 4.25 / 5 x 4.50	10 x 5.0	10" x 5	1pc
<b>13X155TWPMS</b>	5 x 4.25 / 5 x 4.50	13 x 4.50	13" 155 / 600kg	1pc
<b>13X165TWPMS-437</b>	5 x 4.25 / 5 x 4.50	13 x 4.50	13" 165 / 437kg	1pc
<b>13X165TWPMS</b>	5 x 4.25 / 5 x 4.50	13 x 4.50	13" 165 / 670kg	1pc
<b>13X165TWPHT-670</b>	5 x 4.25	13 x 4.50	13" 165 / 670kg	1pc
<b>13X175TWPMS</b>	5 x 4.25 / 5 x 4.50	13 x 4.50	13" 175 / 730kg	1pc
<b>14X185TWPMS</b>	5 x 4.25 / 5 x 4.50	14 x 4.50	14" 185 / 850kg	1pc
<b>14X185TWPHT-850</b>	5 x 4.25	14 x 5.50	14" 185 / 850kg	1pc

# Alloy Mag Wheels & Tyres



**Ideal with Spare  
Wheel Mount**



Trailer Wheel Studs  
(5-pk) sold separately



Alloy Wheel Lug-Nuts  
(5-pk) sold separately

## PREDATOR

PRODUCT	STUD PATTERN	WHEEL SIZE	TYRE SIZE / RATING	QUANTITY
<b>13X5ALLOYHT_155MF</b>	5 x 4.25	13 x 5.0	13" 155 / 600kg	1pc
<b>13X5ALLOYHT_165MF</b>	5 x 4.25	13 x 5.0	13" 165 / 670kg	1pc
<b>13X5ALLOYFD_165MF</b>	5 x 4.50	13 x 5.0	13" 165 / 670kg	1pc
<b>14X55ALLOYHT_185MF</b>	5 x 4.25	14 x 5.5	14" 185 / 850kg	1pc
<b>14X55ALLOYFD_185MF</b>	5 x 4.50	14 x 5.5	14" 185 / 850kg	1pc
<b>14X55ALLOYFD_195MF</b>	5 x 4.50	14 x 5.5	14" 195 / 950kg	1pc
<b>14X55ALLOYFD_215MF</b>	5 x 4.50	14 x 5.5	14" 215 / 1120kg	1pc
<b>15X6ALLOYLC_235MF</b>	6 x 139.70	15 x 6	15" 235 / 1250kg	1pc

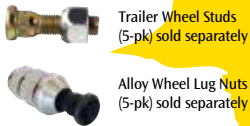


# Alloy Mag Wheels & Tyres



**Ideal with Spare  
Wheel Mount**

## X-SERIES



Trailer Wheel Studs  
(5-pk) sold separately

Alloy Wheel Lug Nuts  
(5-pk) sold separately

PRODUCT	STUD PATTERN	WHEEL SIZE	TYRE SIZE / RATING	QUANTITY
<b>13X5ALLOYMS165</b>	5 x 4.25 / 5 x 4.50	13 x 5.0	13" 165 / 670kg	1pc
<b>14X55ALLOYMS185</b>	5 x 4.25 / 5 x 4.50	14 x 5.5	14" 185 / 850kg	1pc

# Alloy Mag Wheels & Tyres



**Ideal with Spare  
Wheel Mount**

## T-SERIES



Trailer Wheel Studs  
(5-pk) sold separately


Alloy Wheel Lug Nuts  
(5-pk) sold separately


PRODUCT	STUD PATTERN	WHEEL SIZE	TYRE SIZE / RATING	QUANTITY
<b>13X5ALLOYHT165T</b>	5 x 4.25	13 x 5.0	13" 165 / 670kg	1pc
<b>14X6ALLOY185HT</b>	5 x 4.25	14 x 6.0	14" 185 / 850kg	1pc

# Alloy Mag Wheels & Tyres



**Ideal with Spare  
Wheel Mount**

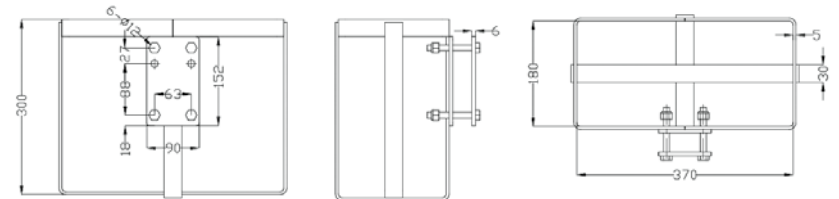
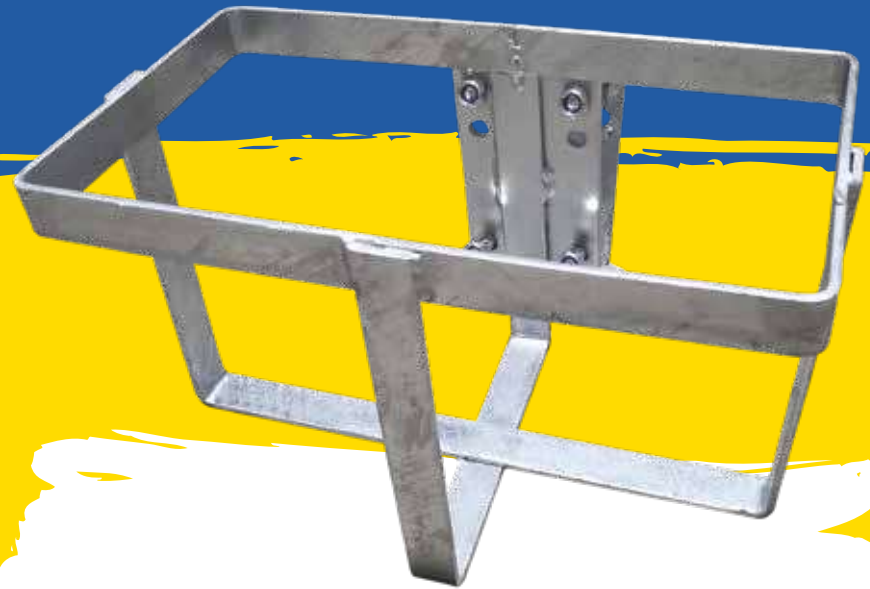
 Trailer Wheel Studs  
(5-pk) sold separately

 Alloy Wheel Lug Nuts  
(5-pk) sold separately

## RIPPER

PRODUCT	STUD PATTERN	WHEEL SIZE	TYRE SIZE / RATING	QUANTITY
16X75ALLOYLC_235MF	6 x 139.70	16 x 7.5	16" 235 / 1450kg	1pc

# Jerry Can Holder with Mount



PRODUCT	DESCRIPTION	FINISH	QUANTITY
JC370X180X300	Jerry Can Holder 370 x 180 x 300mm	Galvanised	1pc

# Vertical Bike Rack



**Vertical bike  
mount design**

**Quick and easy  
assembly**

**Secure  
mount straps**

**Suitable for 3, 4, 5  
or 6 bicycles**

PRODUCT	DESCRIPTION	NET WEIGHT (KG)	QUANTITY
<b>ATLBR003</b>	Vertical Bike Rack to fit up to 3 bicycles	21.8kg	1pc
<b>ATLBR004</b>	Vertical Bike Rack to fit up to 4 bicycles	24.2kg	1pc
<b>ATLBR005</b>	Vertical Bike Rack to fit up to 5 bicycles	28.2kg	1pc
<b>ATLBR006</b>	Vertical Bike Rack to fit up to 6 bicycles	32.0kg	1pc



# Shelf-Ready POS



QTY: 12

PRODUCT	CARTON SIZE (MM)
<b>WR3BLACK</b>	350L x 230W x 425H
<b>WR3BLUE</b>	350L x 230W x 425H
<b>WR3GREY</b>	350L x 230W x 425H

HEIGHT INCLUDES HEADER ASSEMBLED



QTY: 12

PRODUCT	CARTON SIZE (MM)
<b>BHKR45</b>	290L x 220W x 260H
<b>BHSKR60</b>	290L x 220W x 300H
<b>BHSKR80</b>	290L x 220W x 350H

HEIGHT INCLUDES HEADER ASSEMBLED



QTY: 12

PRODUCT	CARTON SIZE (MM)
<b>BRKR45</b>	290L x 220W x 260H
<b>BRKSR60</b>	290L x 220W x 300H
<b>BRKSR80</b>	290L x 220W x 350H

HEIGHT INCLUDES HEADER ASSEMBLED

# Shelf-Ready POS



QTY: 12

PRODUCT	CARTON SIZE (MM)
<b>BOWR3</b>	310L x 235W x 312H
<b>BOWR4</b>	310L x 235W x 342H

HEIGHT INCLUDES HEADER ASSEMBLED



QTY: 12

PRODUCT	CARTON SIZE (MM)
<b>BHCR60</b>	290L x 220W x 300H
<b>BHCR80</b>	290L x 220W x 350H

HEIGHT INCLUDES HEADER ASSEMBLED



QTY: 40

PRODUCT	CARTON SIZE (MM)
<b>SRS45</b>	175L x 150W x 162H
<b>SRS60</b>	175L x 210W x 162H
<b>SRS80</b>	175L x 250W x 162H
<b>SRS80-20</b>	115L x 250W x 95H

HEIGHT INCLUDES HEADER ASSEMBLED

# Winch Specifications

PRODUCT CODE	CMW002W	CMW003C	CMW005W	CMW006C	HMW005W	CEW2000C	CEW3000C	HEW3500C	MW201R	MW202W	MW212C	MW203R	MW204W	MW214C	MW205R	MW206W	MW217C	MW207R
<b>GEAR RATIO</b>	3:1	3:1	4:1	4:1	4:1	460:1	729:1	729:1	3:1	3:1	3:1	5:1	5:1	5:1	5:1/1:1	5:1/1:1	5:1/1:1	10:1/5:1/1:1
<b>CABLE/WEBBING/ROPE TYPE</b>	Webbing Strap	Cable	Webbing Strap	Cable	Webbing Strap	Cable	Cable	Cable	Atlantic Rope	Webbing Strap	Cable	Atlantic Rope	Webbing Strap	Cable	Atlantic Rope	Webbing Strap	Cable	Atlantic Rope
<b>HOOK TYPE</b>	S Hook	S Hook	S Hook	S Hook	S Hook	Snap Hook	Snap Hook	Snap Hook	S Hook	S Hook	S Hook	Snap Hook	Snap Hook	Snap Hook	Snap Hook	Snap Hook	Snap Hook	Snap Hook
<b>APPLICATION (VESSEL TYPE)</b>	Incline Pull (Boat Trailer)	Incline Pull (Boat Trailer)	Incline Pull (Boat Trailer)	Incline Pull (Boat Trailer)	Incline Pull (Boat Trailer)	Incline Pull (Boat Trailer)	Incline Pull (Boat Trailer)	Incline Pull (Boat Trailer)	Incline Pull (Boat Trailer)	Incline Pull (Boat Trailer)	Incline Pull (Boat Trailer)	Incline Pull (Boat Trailer)	Incline Pull (Boat Trailer)	Incline Pull (Boat Trailer)	Incline Pull (Boat Trailer)	Incline Pull (Boat Trailer)	Incline Pull (Boat Trailer)	Incline Pull (Boat Trailer)
<b>CABLE/WEBBING/ROPE LENGTH (MAXIMUM LENGTH)</b>	4.5m —	6m x 4mm —	6m —	6m x 4mm —	6m —	9m x 4.8mm —	9m x 5.5m —	10.5m x 5.5m —	6m x 4mm (34.5m x 4mm)	6m (8.5m)	6m x 4mm (34.5m x 4mm)	6m x 5mm (20m x 5mm)	6m (8.5m)	6m x 4mm (20m x 4mm)	7.5m x 5mm (20m x 5mm)	7.5m (8.5m)	7.5m x 5mm (20m x 5mm)	7.5m x 6mm (9.5m x 6mm)
<b>CAPACITY</b>	300kg (660lb)	300kg (660lb)	550kg (1200lb)	550kg (1200lb)	550kg (1200lb)	2000lb	3000lb	3500lb	550kg (1200lb)	550kg (1200lb)	550kg (1200lb)	725kg (1600lb)	725kg (1600lb)	725kg (1600lb)	775kg (1700lb)	775kg (1700lb)	775kg (1700lb)	1135kg (2500lb)
<b>RATCHET TYPE</b>	Lever Action	Lever Action	Lever Action	Lever Action	Lever Action	Gearshift	Gearshift	Gearshift	Pawl Lever	Pawl Lever	Pawl Lever	Pawl Lever	Pawl Lever	Pawl Lever	Pawl Lever	Pawl Lever	Pawl Lever	Pawl Lever
<b>UNIT WEIGHT</b>	2.4kg	2.4kg	3.0kg	3.0kg	3.0kg	10.8kg	10.8kg	12.0kg	4.12kg	4.33kg	4.44kg	4.33kg	4.55kg	4.9kg	4.55kg	4.86kg	5.24kg	5.15kg
<b>TOTAL DIMENSIONS (W X H X D)</b>	257 x 120 x 155	257 x 120 x 155	254 x 144 x 193	254 x 144 x 193	254 x 144 x 193	241 x 191 x 254	241 x 191 x 254	241 x 191 x 254	304 x 248 x 191	304 x 248 x 191	304 x 248 x 191	304.5 x 248 x 188	304.5 x 248 x 188	304.5 x 248 x 188	319 x 248 x 190.5	319 x 248 x 190.5	319 x 248 x 190.5	312 x 252 x 190.5
<b>BARCODE NUMBER</b>	9337451000862	9337451000909	9334751000879	9334751001272	9337451004051	9337451001692	9337451001708	9337451003641	9337451000725	9337451000046	9337451000091	9337451000732	9337451000053	9337451000107	9337451000749	9337451000060	9337451000114	9337451000756

PRODUCT CODE	MW208W	MW220C	MW209R	MW210W	MW223C	CTW2500R	BW230C	BW230C-FC	BW230C-FCSS	BW240NC	BW260C	BW260C-FC	BW260C-FCSS	BW280NC	BW290C	LBW620NC	LBW650NC	LBW680NC
<b>GEAR RATIO</b>	10:1/5:1/1:1	10:1/5:1/1:1	15:1/5:1/1:1	15:1/5:1/1:1	15:1/5:1/1:1	15:1	5:1	5:1	5:1	5:1	10:1	10:1	10:1	10:1	15:1	8:1	15:1	15:1
<b>CABLE/WEBBING/ROPE TYPE</b>	Webbing Strap	Cable	Atlantic Rope	Webbing Strap	Cable	Atlantic Rope	Cable	Cable	Cable	—	Cable	Cable	Cable	—	Cable	—	—	—
<b>HOOK TYPE</b>	Snap Hook	Snap Hook	Snap Hook	Snap Hook	Snap Hook	Snap Hook	Snap Hook	Snap Hook	Snap Hook	—	Snap Hook	Snap Hook	Snap Hook	—	Snap Hook	—	—	—
<b>APPLICATION (VESSEL TYPE)</b>	Incline Pull (Boat Trailer)	Incline Pull (Boat Trailer)	Incline Pull (Boat Trailer)	Incline Pull (Boat Trailer)	Incline Pull (Boat Trailer)	Incline Pull (Car Trailer)	Direct Lift	Direct Lift	Direct Lift	Direct Lift	Direct Lift	Direct Lift	Direct Lift	Direct Lift	Direct Lift	Direct Lift	Direct Lift	Direct Lift
<b>CABLE/WEBBING/ROPE LENGTH (MAXIMUM LENGTH)</b>	7.5m (8.5m)	7.5m x 6mm (9.5m x 6mm)	7.5m x 7mm (10m x 7mm)	7.5m (8.0m)	7.5m x 7mm (9.5m x 7mm)	15m x 10mm (45m x 6mm)	7.5m x 5mm (20m x 5mm)	7.5m x 5mm (20m x 5mm)	7.5m x 5mm (20m x 5mm)	— (20m x 5mm)	7.5m x 6mm (9.5mm x 6mm)	7.5m x 6mm (9.5mm x 6mm)	7.5m x 6mm (9.5mm x 6mm)	— (9.5mm x 6mm)	8m x 8mm —	— (45m x 6mm)	— (45m x 6mm)	— (125m x 6mm)
<b>CAPACITY</b>	1135kg (2500lb)	1135kg (2500lb)	1500kg (3300lb)	1500kg (3300lb)	1500kg (3300lb)	2500kg (5500lb)	300kg (660lb)	300kg (660lb)	300kg (660lb)	300kg (660lb)	500kg (1100lb)	500kg (1100lb)	500kg (1100lb)	500kg (1100lb)	725kg (1600lb)	750kg (1650lb)	1500kg (3300lb)	1800kg (3960lb)
<b>ULTIMATE BRAKING LOAD</b>	—	—	—	—	—	7176kg	1479kg	1479kg	1479kg	—	1948kg	1948kg	1948kg	—	3503kg	5690kg	7176kg	8157kg
<b>ULTIMATE TENSILE STRESS</b>	—	—	—	—	—	70.38kN	14.5kN	14.5kN	14.5kN	—	19.1kN	19.1kN	19.1kN	—	34.25kN	55.8kN	70.38kN	80.0kN
<b>RATCHET TYPE</b>	Pawl Lever	Pawl Lever	Pawl Lever	Pawl Lever	Pawl Lever	Self Actuating	Self Actuating	Self Actuating	Self Actuating	Self Actuating	Self Actuating	Self Actuating	Self Actuating	Self Actuating	Self Actuating	Self Actuating	Self Actuating	Self Actuating
<b>UNIT WEIGHT</b>	5.39kg	5.98kg	6.5kg	6.9kg	7.3kg	26.0kg	5.56kg	5.56kg	5.56kg	4.58kg	6.09kg	6.09kg	6.09kg	4.90kg	10.5kg	22.8kg	24.0kg	30.0kg
<b>TOTAL DIMENSIONS (W X H X D)</b>	312 x 252 x 190.5	312 x 252 x 190.5	304 x 244.7 x 234.5	304 x 244.7 x 234.5	304 x 244.7 x 234.5	413 x 267 x 234	265 x 254 x 190.5	265 x 254 x 190.5	265 x 254 x 190.5	265 x 254 x 190.5	265 x 254 x 190.5	265 x 254 x 190.5	265 x 254 x 190.5	265 x 254 x 190.5	265 x 265.5 x 251.5	413 x 267 x 234	413 x 267 x 234	572 x 450 x 280
<b>BARCODE NUMBER</b>	9337451000077	9337451000121	9337451000763	9337451000084	9337451000336	9337451004075	9337451000299	9337451003672	9337451003757	9337451000343	9337451000305	9337451003696	9337451003764	9337451003350	933745103771	9337451000312	9337451000329	9337451000770

**Atlantic Products are 100% Australian owned  
and operate from their corporate headquarters  
based in Adelaide, South Australia.**

Stocked by leading distributors around Australia  
and overseas, Atlantic Products manufactures  
and distributes a range of winches, wheels and  
trailer accessories for the marine, agricultural,  
mining and construction industries.

Due to their rapid expansion, Atlantic Products  
has positioned warehouse facilities in all key  
cities of Australia; plus Shanghai and Hong Kong  
for faster lead times to key markets in Europe,  
Africa and the USA.



**FOR ALL SALES & ENQUIRIES:**

Free call 1300 214 049

Email [info@atlanticproducts.com.au](mailto:info@atlanticproducts.com.au)

[www.atlanticproducts.com.au](http://www.atlanticproducts.com.au)

Please note all information contained in this document is correct at time of printing.  
Atlantic Products reserves the right to modify any information without prior notice.

© 2024 Atlantic Products Pty Ltd. DAL6496/06.2024

Atlantic Products are industry members with:

